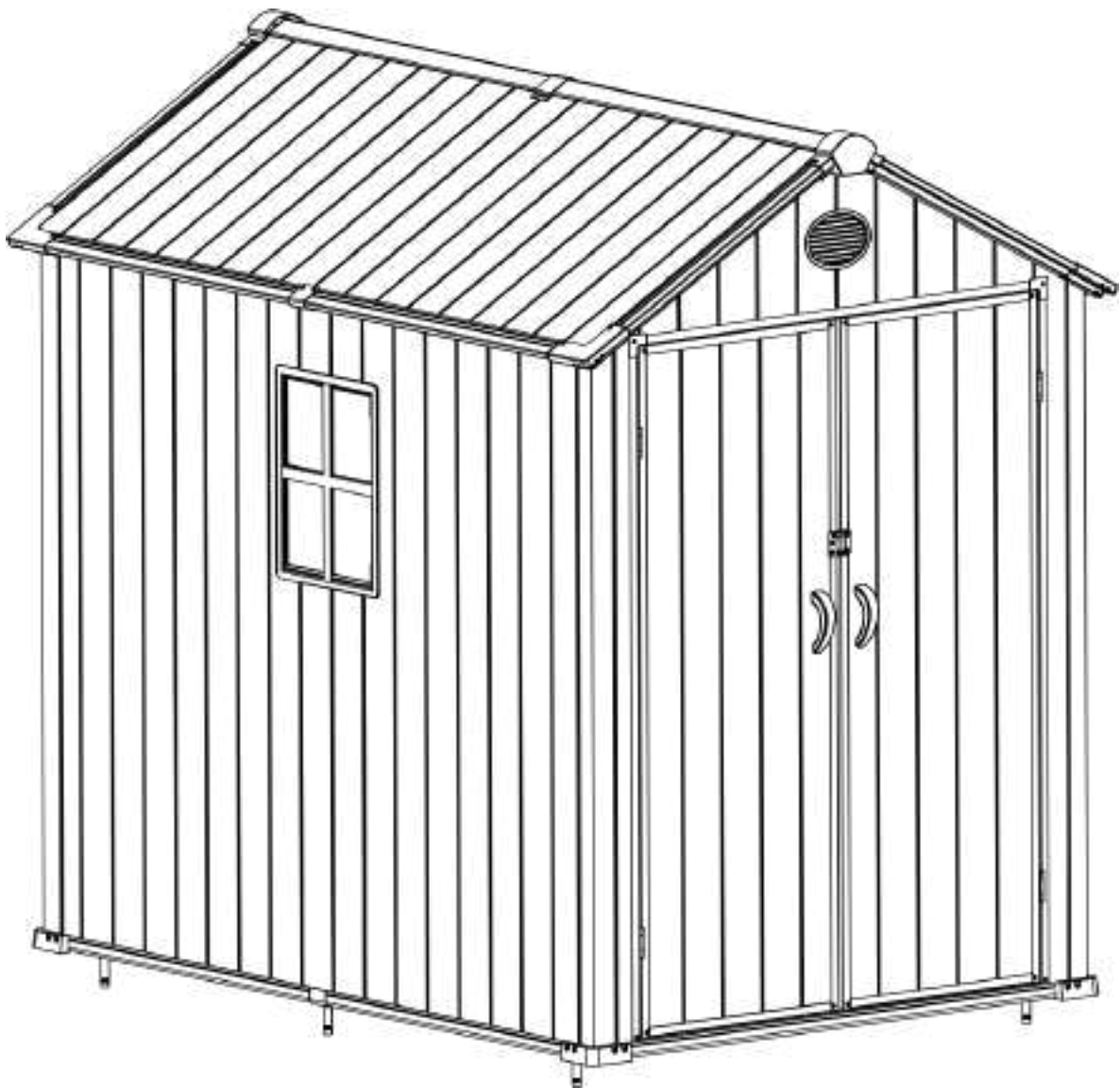
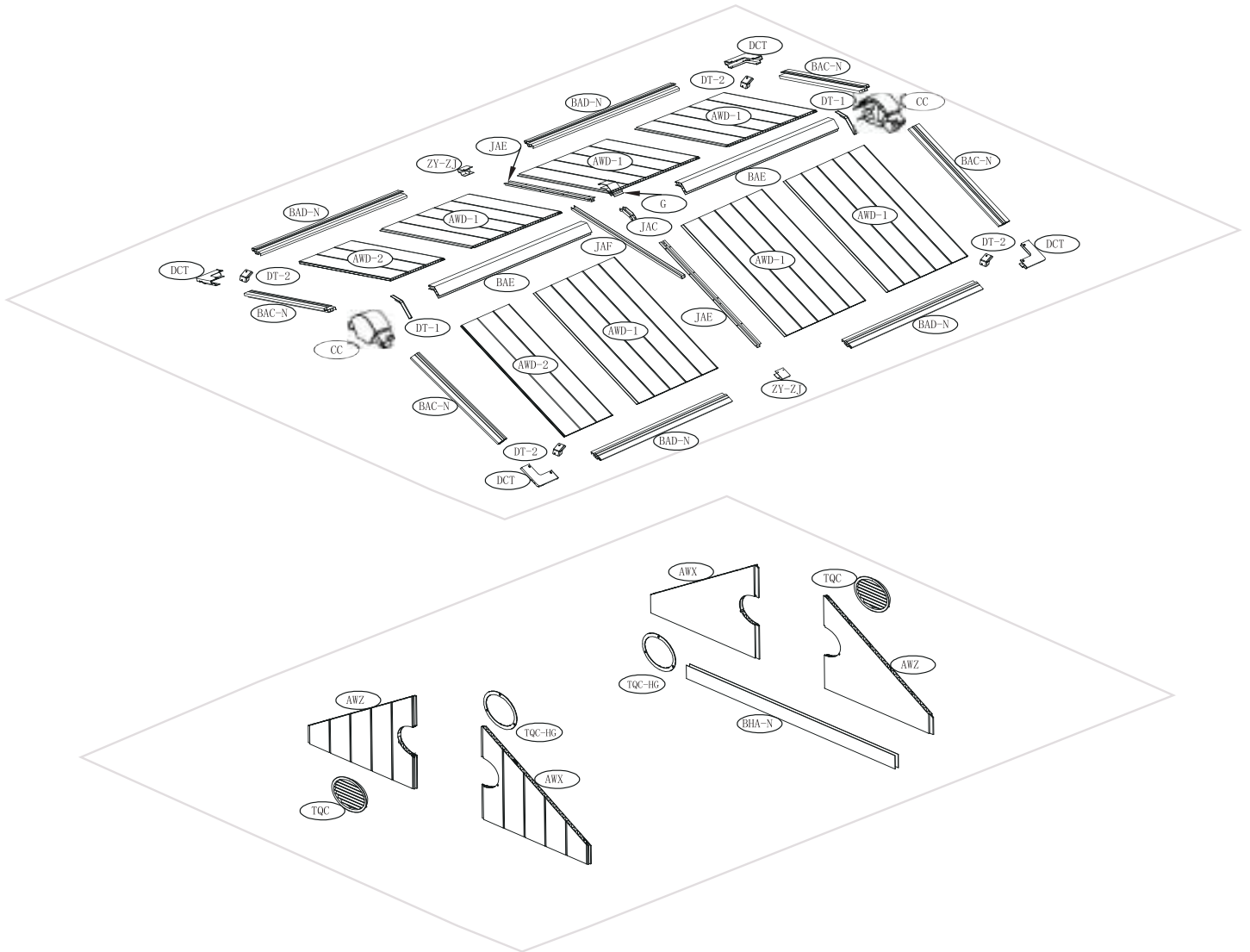


# ASSEMBLY INSTRUCTIONS

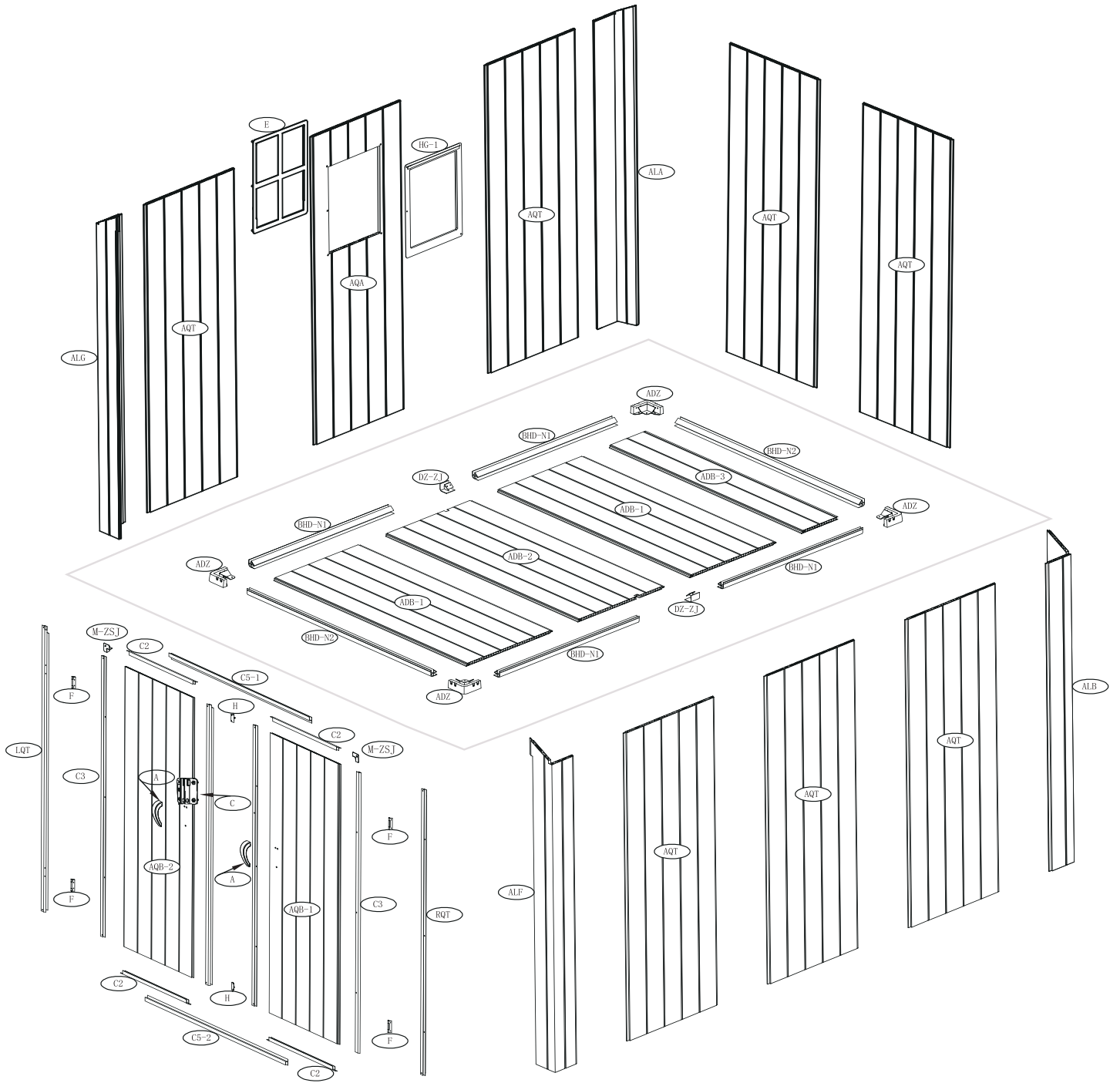
## Plastic Storage Shed\_6x8 FT



# EXPLOSIVE VIEW PART1



# EXPLOSIVE VIEW PART 2



# CARE AND SAFETY GUIDELINES

- The shed is intended for storage purposes only. It is not designed for habitation.
- It is strongly recommended to secure the shed to an immovable object or anchor to the ground by drilling holes in the shed floor (at the instructed locations) and inserting proper screws into the ground.
- Do not attempt assembly on windy or cold days.
- Periodically check the shed to ensure that it is stable and that the site is level.
- Be careful when handling parts with steel edges.
- When assembling or handling the shed, use only those tools listed in the user manual.
- Always wear work gloves, safety goggles and long sleeves when assembling or performing any maintenance on your shed.
- Avoid using a lawnmower or mechanical scythe near the shed.
- Wear safety goggles and always follow the manufacturer's instructions when using power tools.
- Wash the shed with a garden hose or a mild detergent solution. Do not use a metal brush or abrasive cleaners, including degreasers and oil- or acetone-based cleaning materials, as these may stain or damage the shed.
- Do not store hot items, such as recently used grills and blowtorches, and volatile chemicals in the shed.
- Avoid placing heavy items against the walls, as this may cause distortion.
- Keep the roof clear of accumulated snow and leaves. Large amounts of snow on the roof can damage the shed, making it unsafe to enter.
- Wind direction is an important factor to consider when determining the location of the shed. Reduce exposure to the wind, in general, and of the door side in particular. Keep doors closed and locked when the shed is not in use to prevent wind damage.
- Do not stand on the roof.
- Consult your local authorities to check if permits are required to erect the shed.

# Assembly Preparation

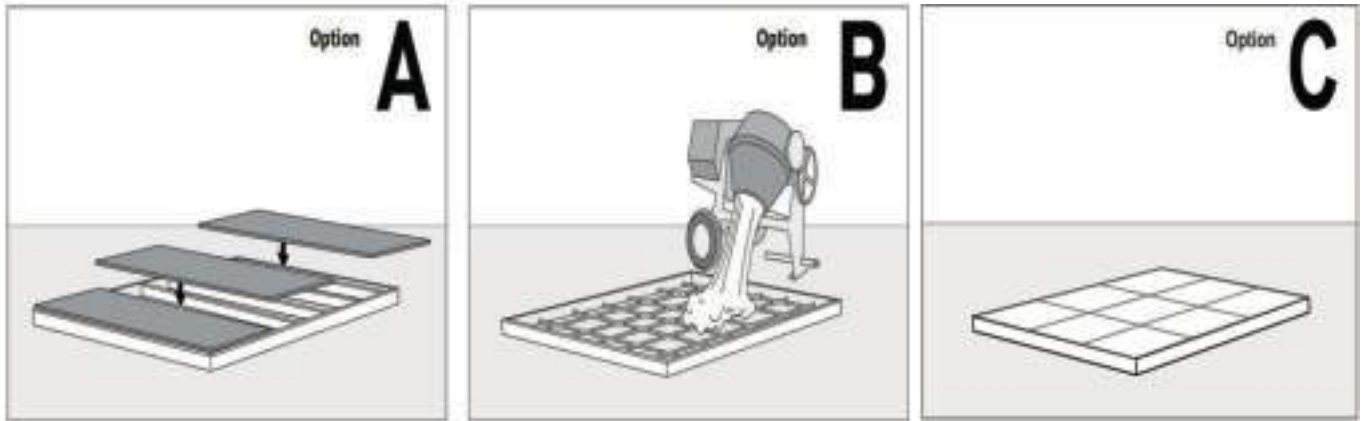
## 1、 Site preparation

Leveling the ground.



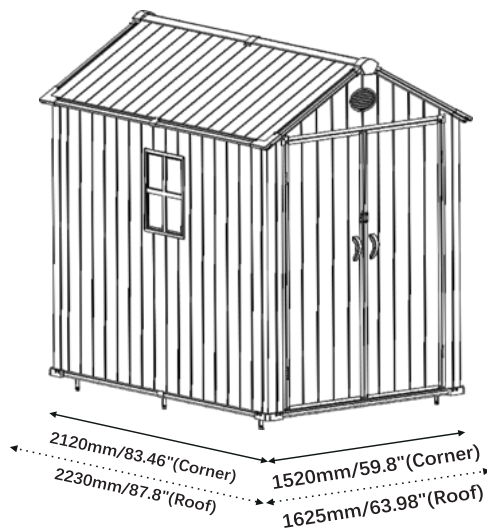
## 2、 Set up the base

It is recommended to build a wooden base or concrete base.



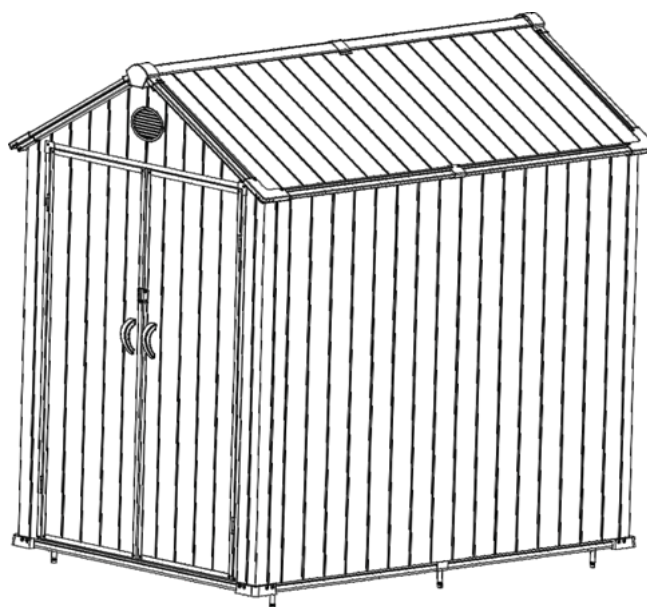
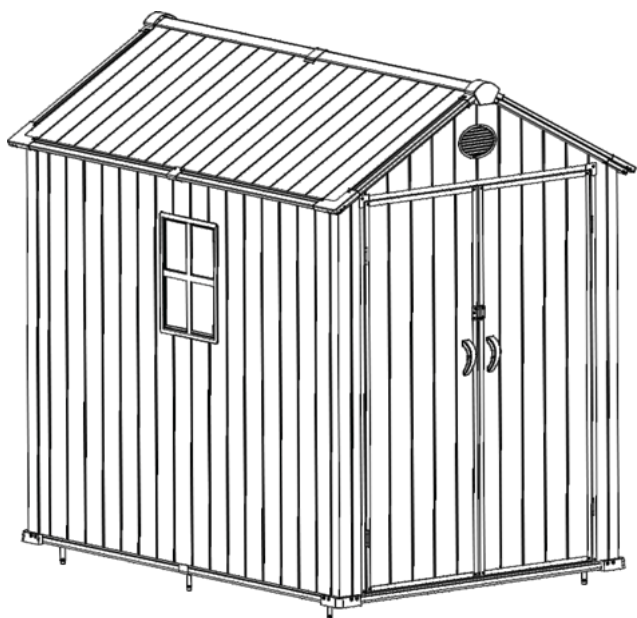
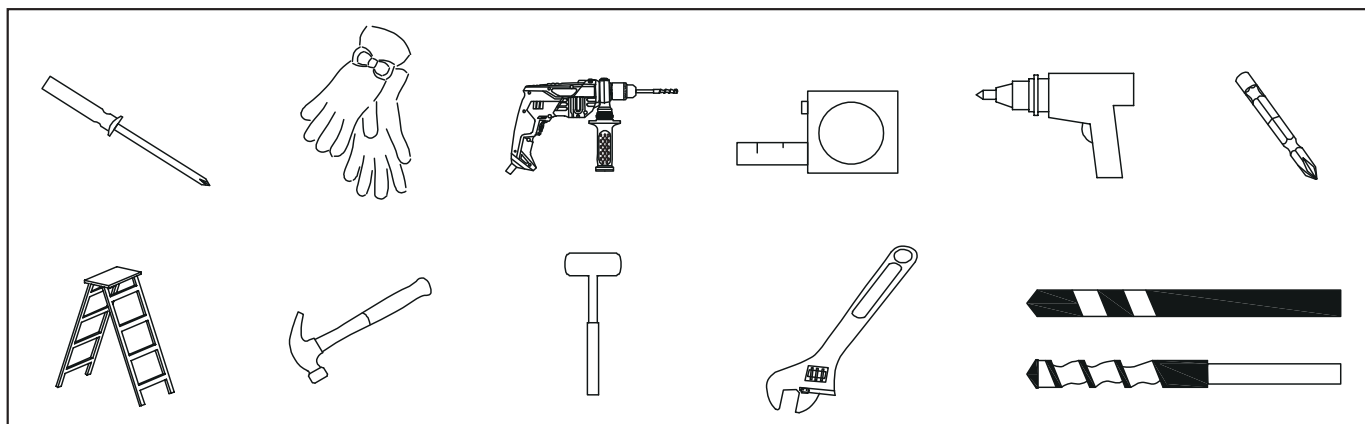
## 3、 Leave enough space

Operating space shall be reserved for external installation work.



# Contents

## REQUIRED TOOLS



# Accessories List for Box A




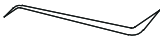
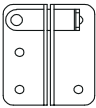

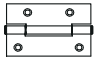

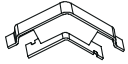

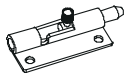

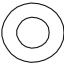







"IMPORTANT, RETAIN FOR FUTURE REFERENCE: READ CAREFULLY"



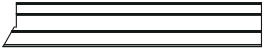





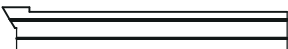
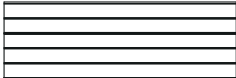



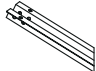
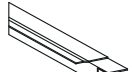


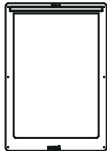

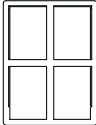

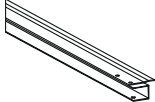
1. Gather and organize all required parts before assembling.
2. Assemble shed on a flat, clean surface.
3. Two or more people are required for assembly.

Item No.	Reference Image	Qty.	Item No.	Reference Image	Qty.
AWZ		X2	DT-1		X2
AWX		X2	DT-2		X4
AQB-1		X1	BHA-N		X1
AQB-2		X1	ADZ		X4
ADB-1		X2	DCT		X4
ADB-2		X1	ZY-ZJ		X2
ADB-3		X1	CC		X2
BAD-N		X4	DZ-ZJ		X2
AWD-1		X6	BHD-N1		X4
AWD-2		X2	BHD-N2		X2
M-ZSJ		X2	TQC-HG		X2

## Accessories List for Box A

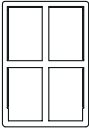

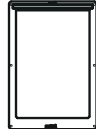

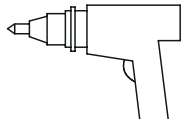
Item no.	Reference Image	Qty.	Item no.	Reference Image	Qty.
A		X2	JAC		X1
B		X8	N		X2
C		X1	M	 M4X14mm	X16
F		X4	O	 M5X20mm	X16
G		X1	P	 M4X14mm	X4
H		X2	Q	 M5	X6
I		X6	R	 M5X30mm	X6
J	 M4X30mm	X2	S	 M6X80mm	X6
K	 M4X40mm	X4	T		X6
L	 M5X14mm	X330	TQC		X2

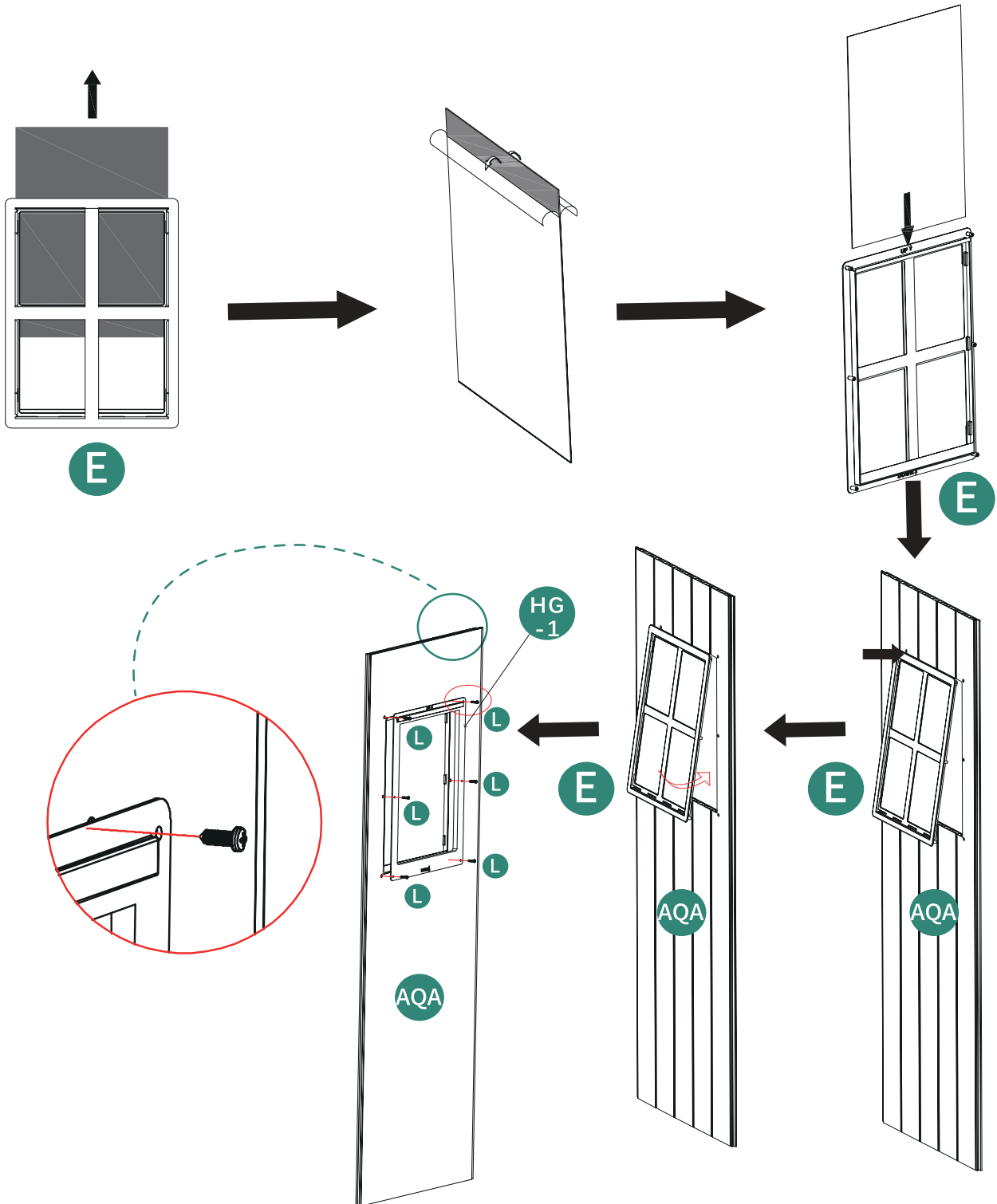
## Accessories List for Box B

Item no.	Reference Image	Qty.	Item no.	Reference Image	Qty.
ALA		X1	C5-1		X1
ALB		X1	C5-2		X1
ALF		X1	BAE		X2
ALG		X1	AQT		X7
BAC-N		X4	AQA		X1
LQT		X1	JAE		X2
RQT		X1	JAF		X1
C1		X1	HG-1		X1
C2		X4	E		X1
			C3		X2
			C6		X1

# Window Installation

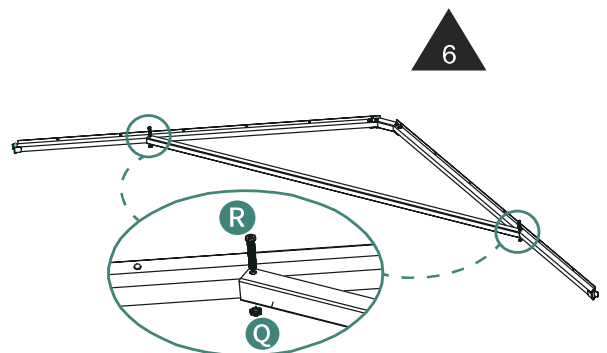
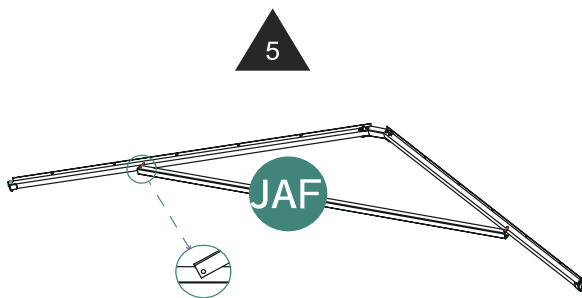
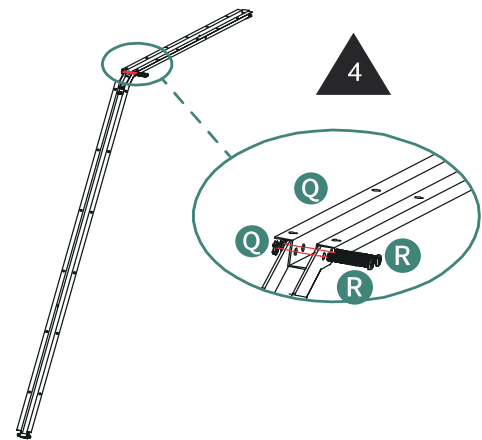
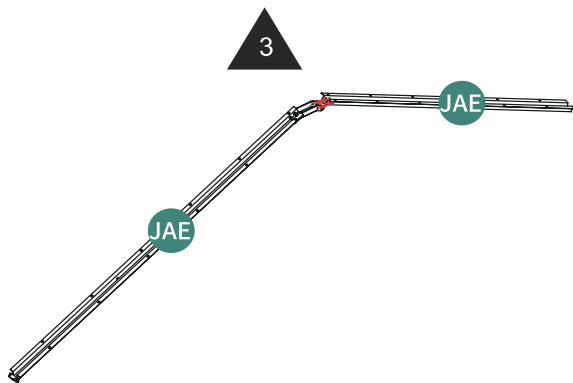
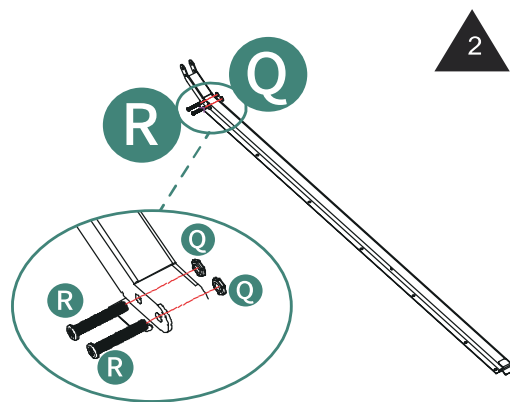
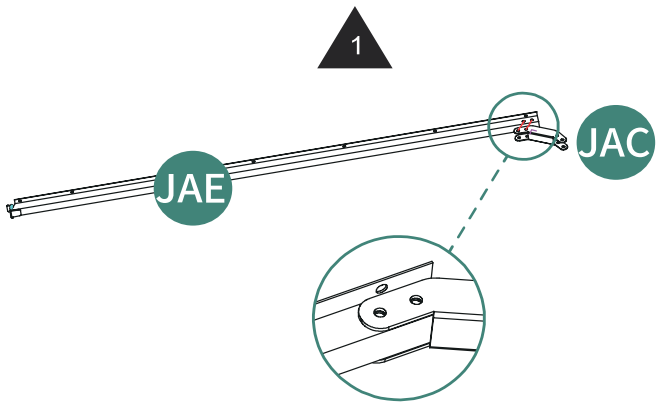
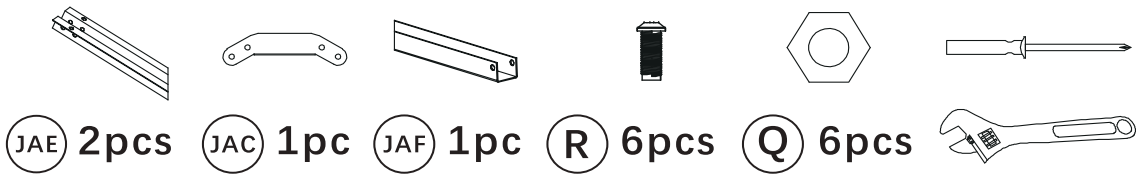
**1**

 **E** 1pc     **AQA** 1pc     **HG-1** 1pc     **L** 6pcs    



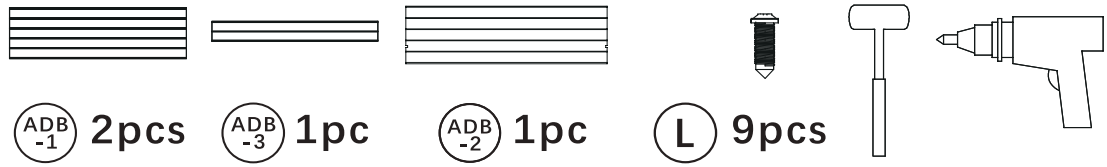
# Roof Support Installation

# 2

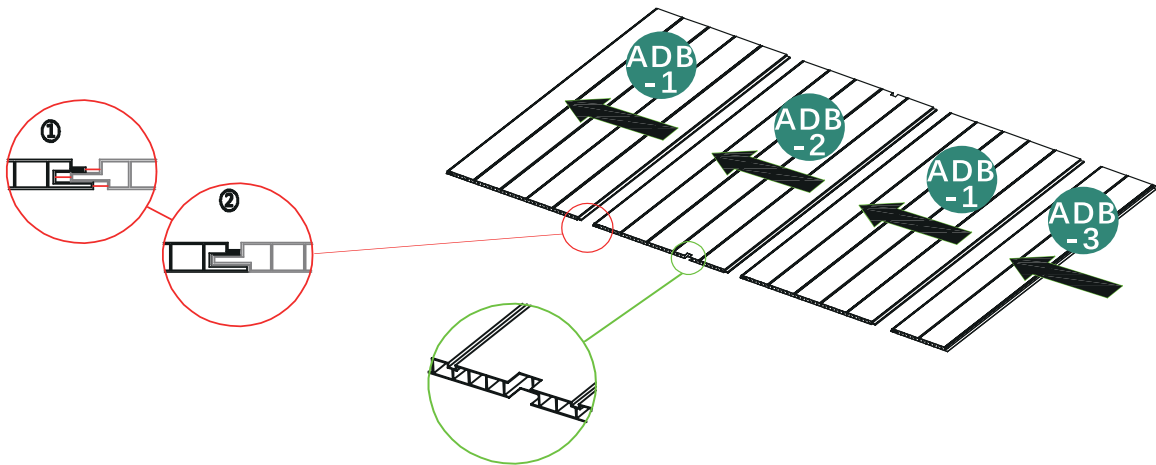


# Floor Installation 1

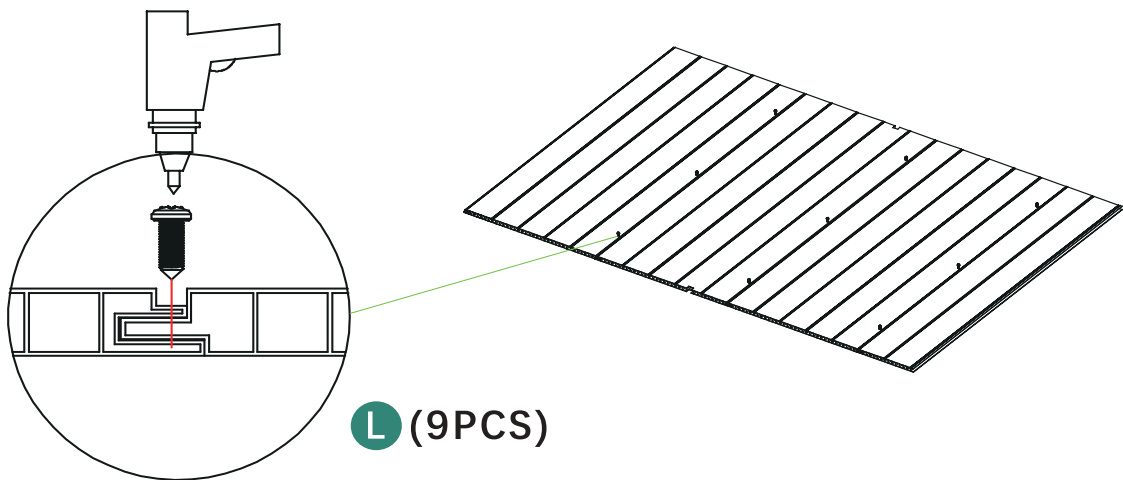
# 3



Note: Put the strips face upwards!  
Fully fit the panels to each other to avoid any gap.



⚠ Pay attention to the groove as shown.

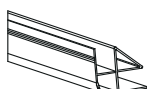


# Floor Installation 2

# 4



ADZ 4pcs



BHD-N2 2pcs



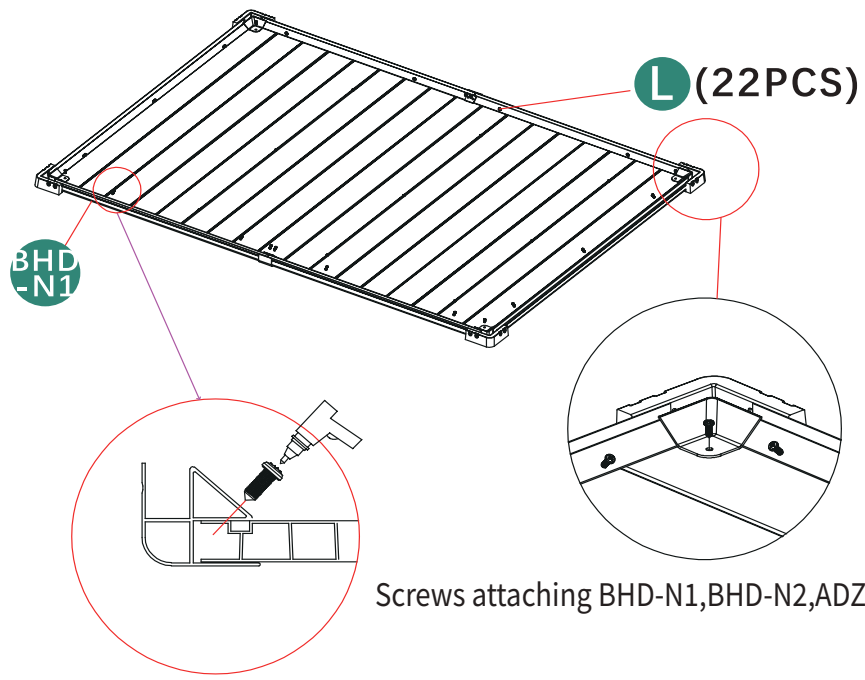
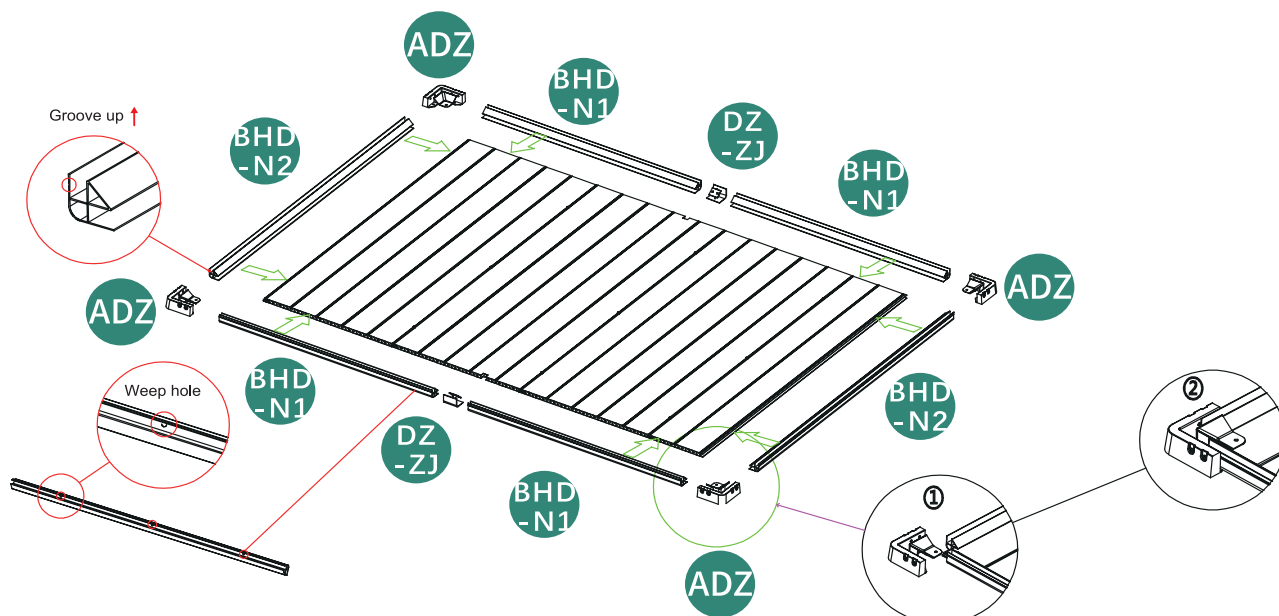
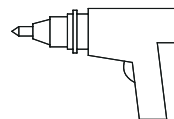
BHD-N1 4pcs



DZ-ZJ 2pcs



L 22pcs

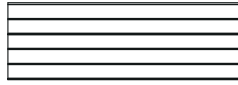


Screws attaching BHD-N1,BHD-N2,ADZ to floor panel.

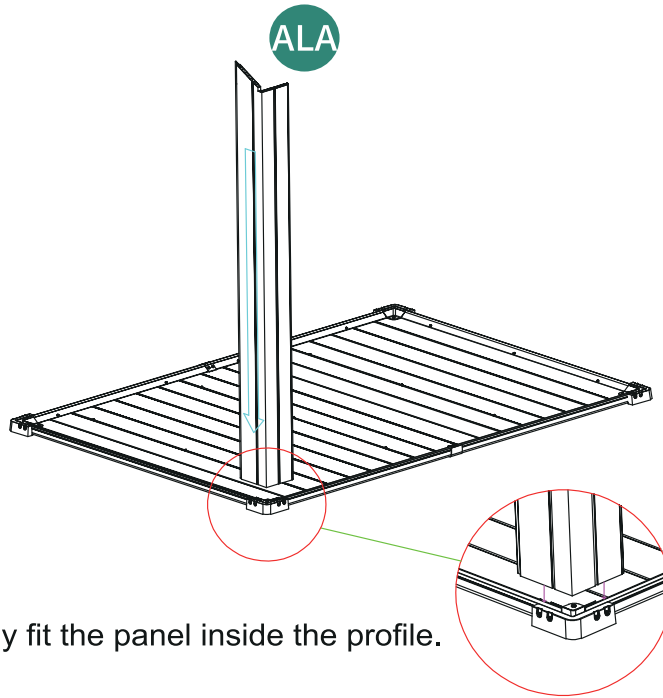
5



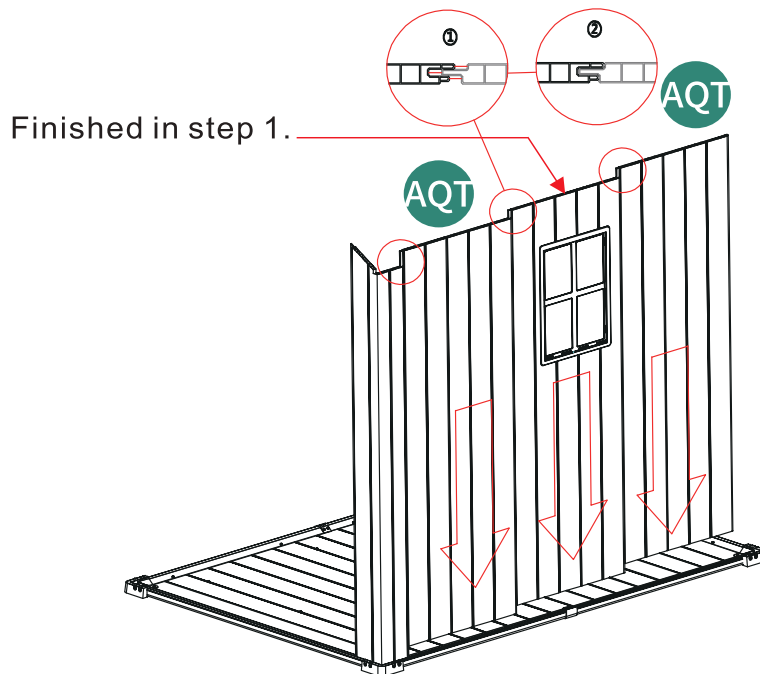
ALA 1pc



AQT 2pcs



Fully fit the panel inside the profile.



Fully fit to each other without any gap.

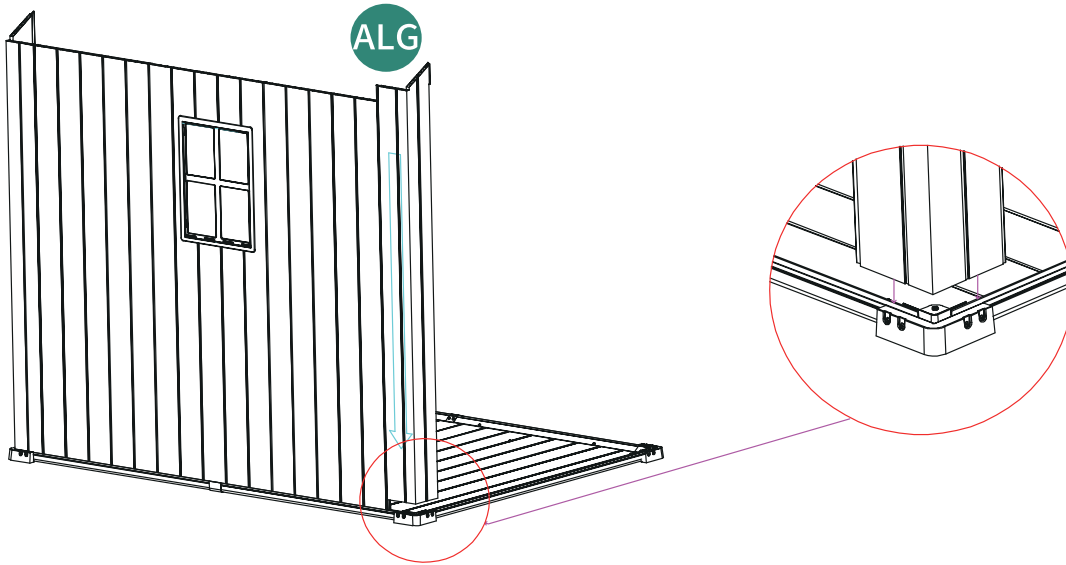
6



ALG 1pc

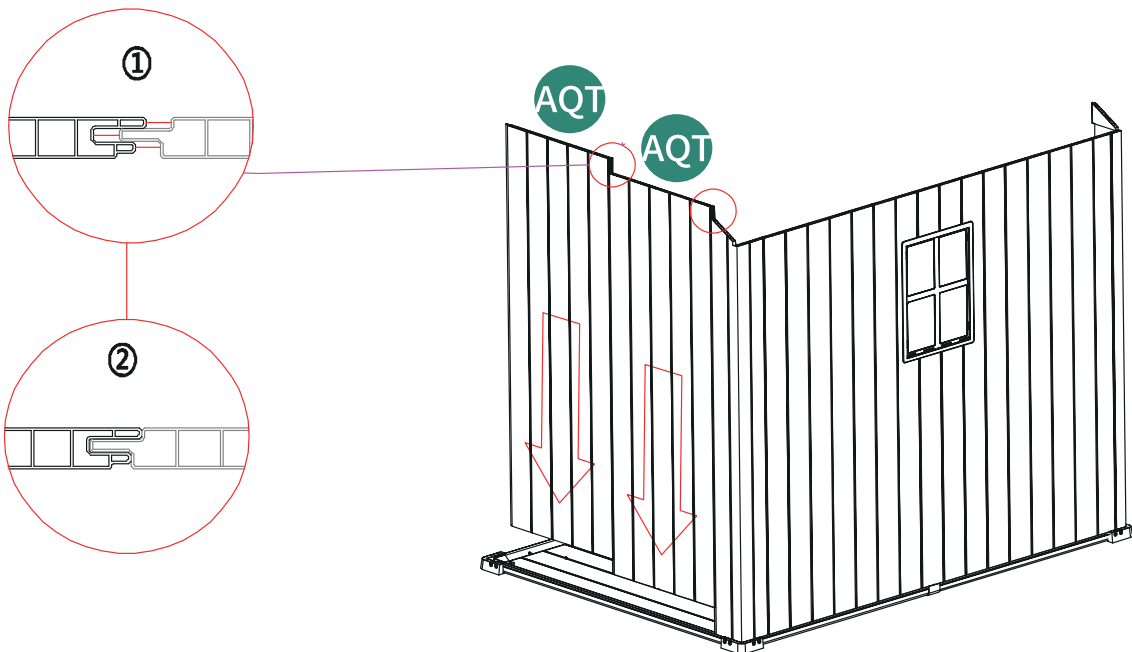


AQT 2pcs



Fully fit the panel inside the profile

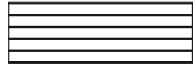
Fully fit to each other without any gap.



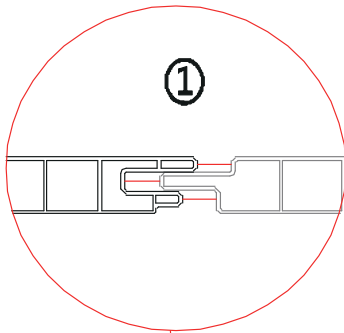
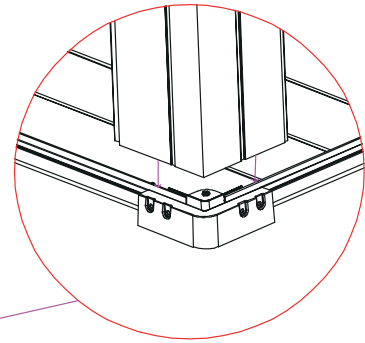
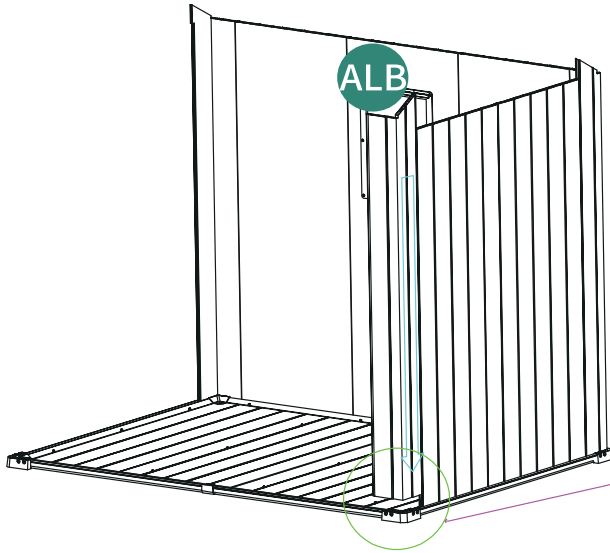
7



ALB 1pc

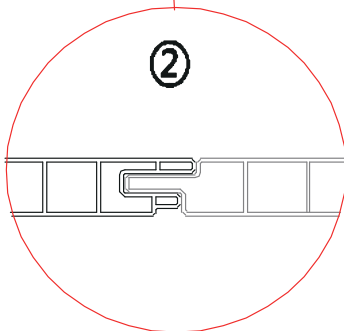


AQT 3pcs

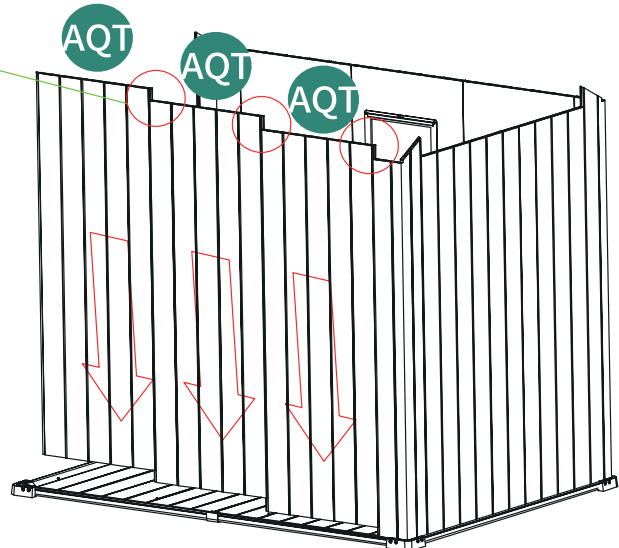


①

Fully fit to each other without any gap.



②



AQT

AQT

AQT

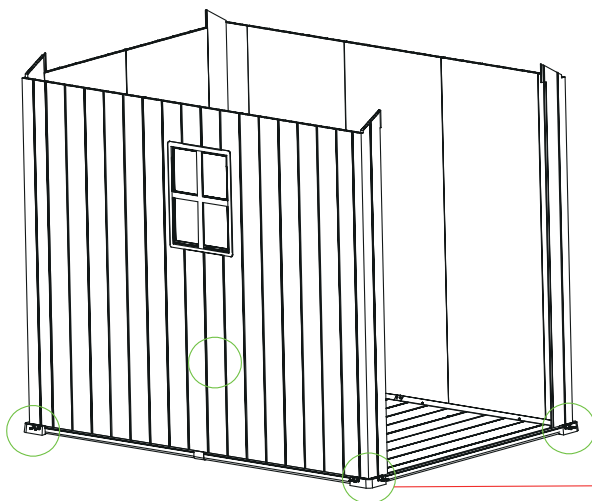
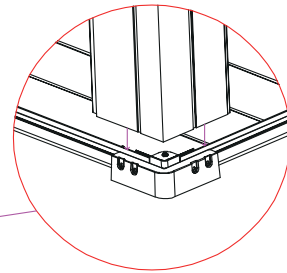
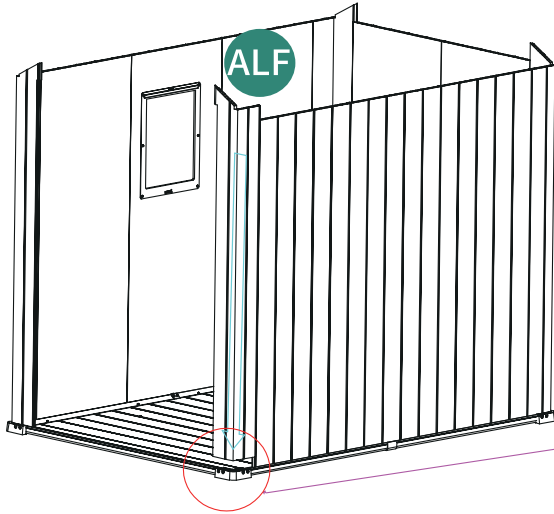
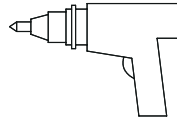
8



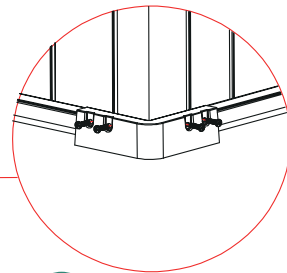
ALF 1pc



O 16pcs

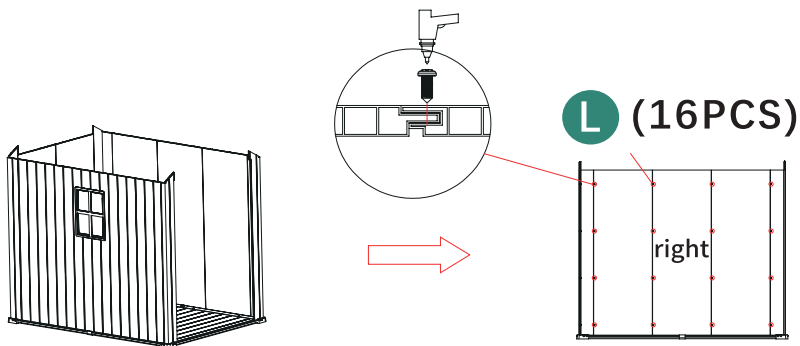
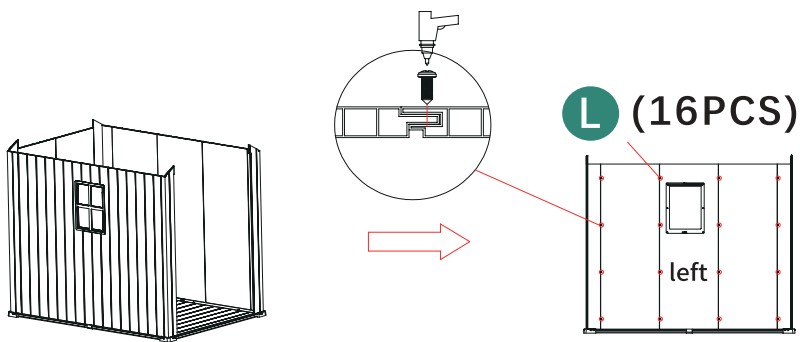
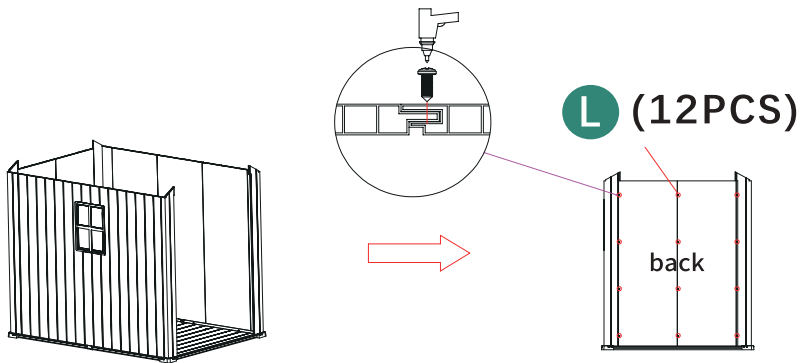
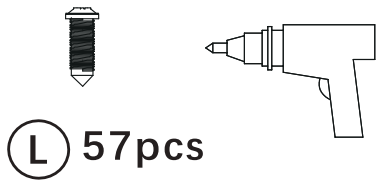


ADZ

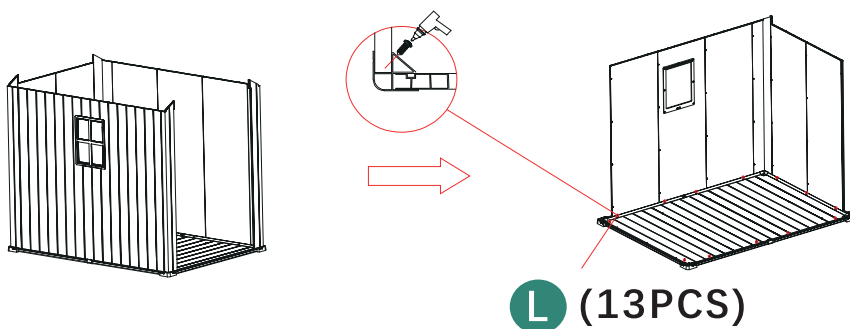


O (4PCS)X4

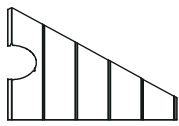
# 9



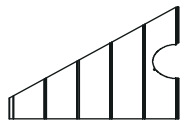
Screws attaching BHD-N2,BHD-N1,AQT,ADZ to floor panel.



# 10



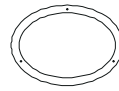
AWX 1pc



AWZ 1pc



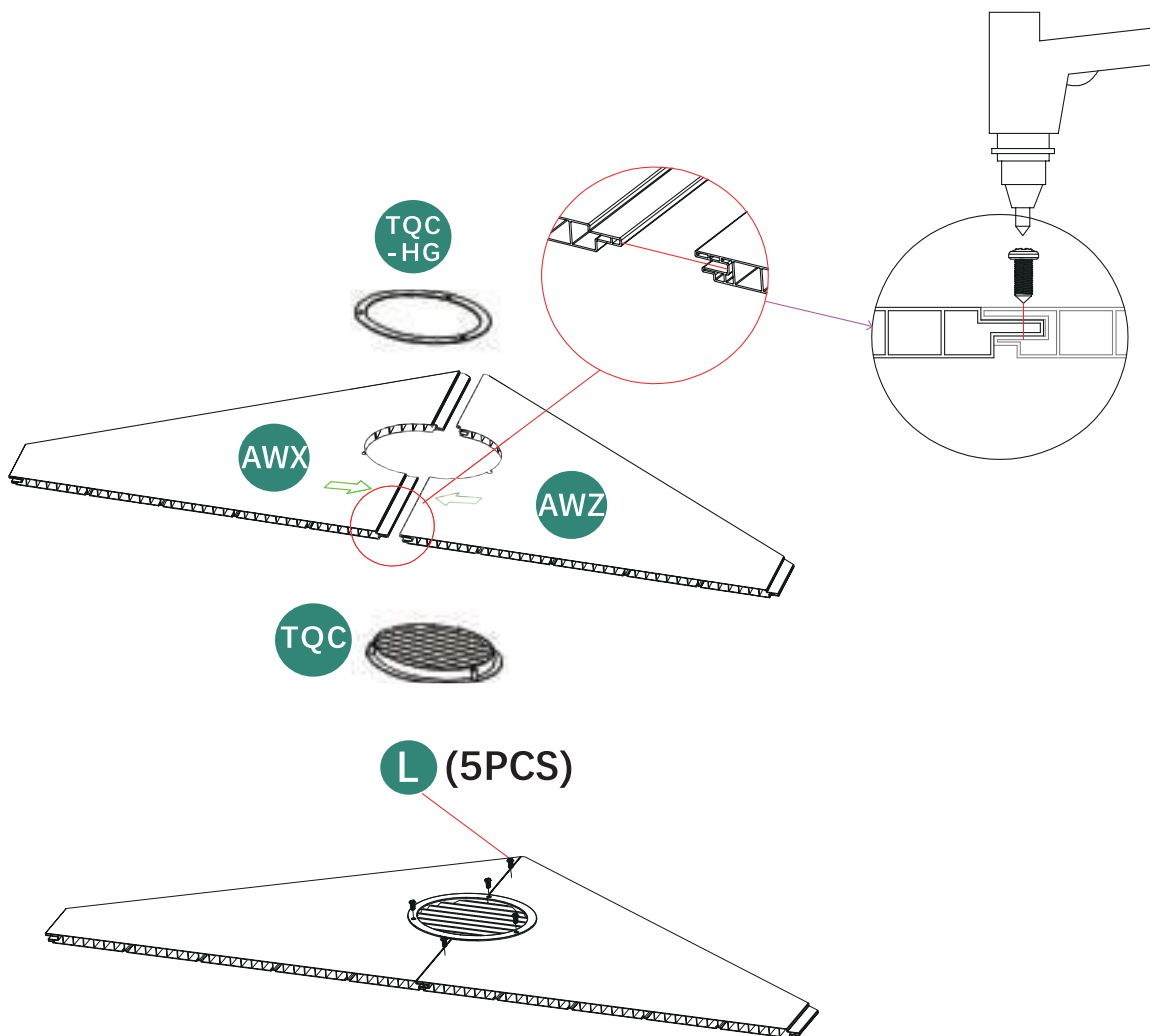
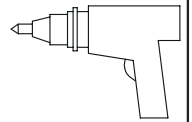
TQC 1pc



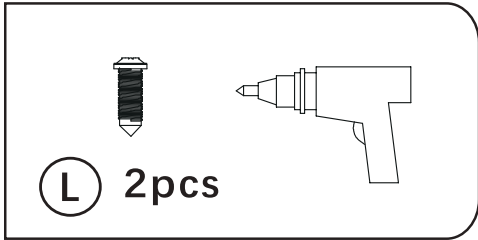
TQC-HG 1pc



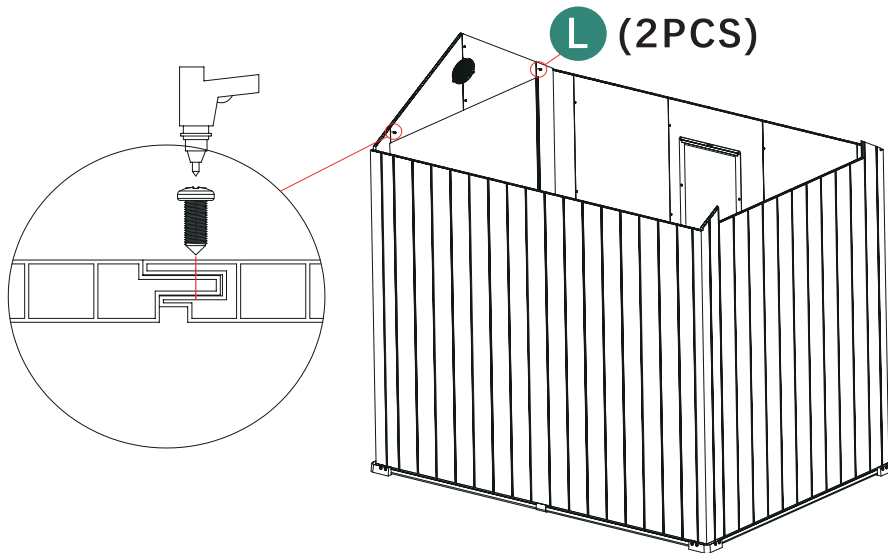
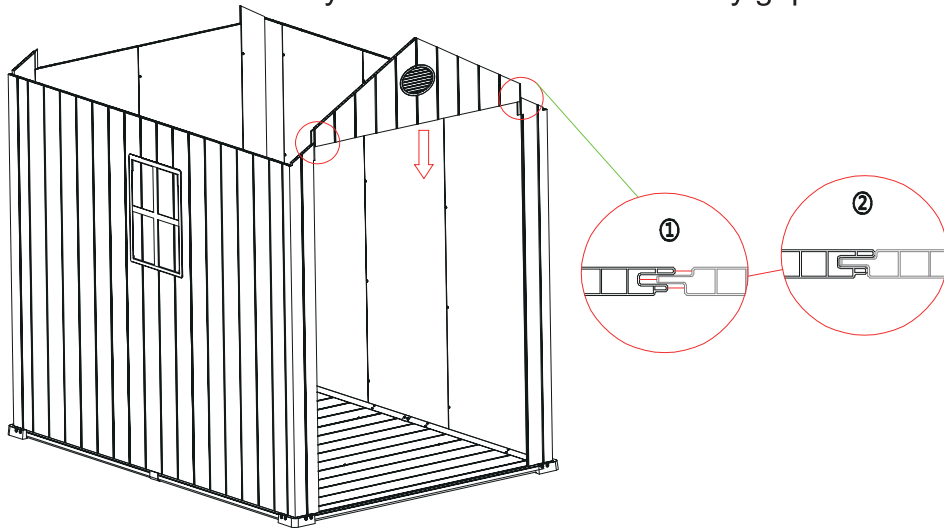
L 5pcs



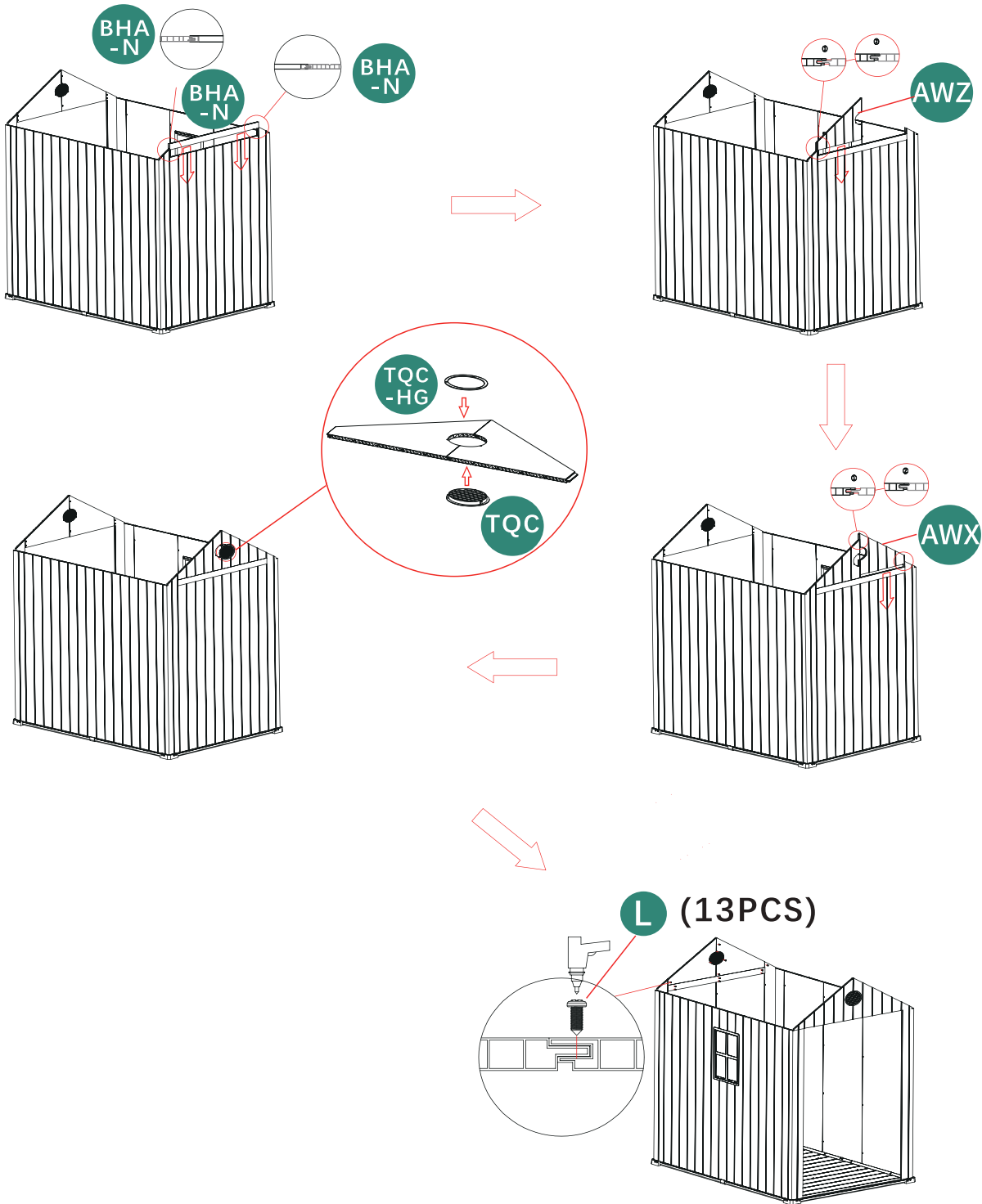
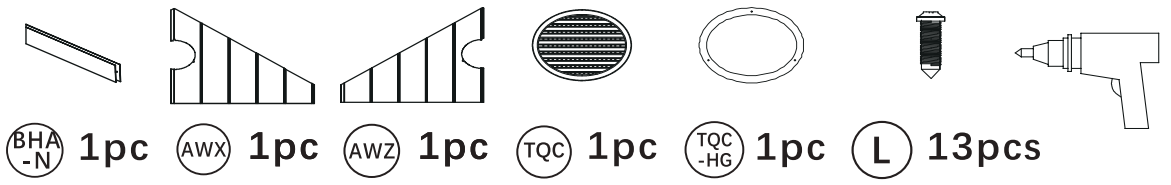
# 11



Fully fit to each other without any gap.



# 12



# 13



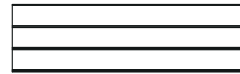
BAD-N 4pcs



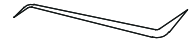
BAC-N 2pcs



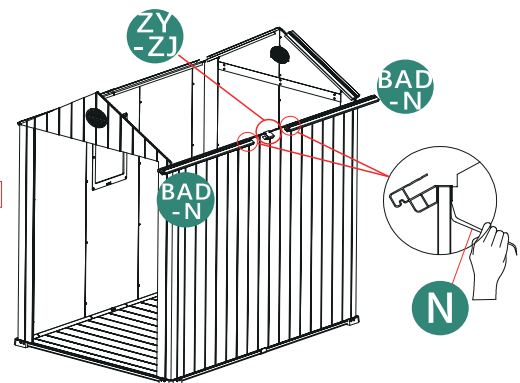
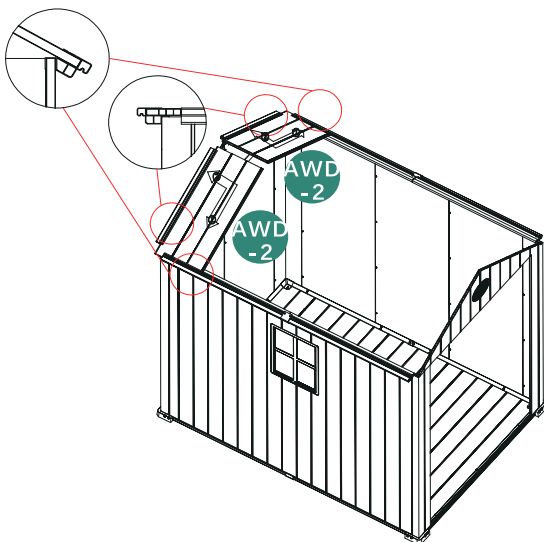
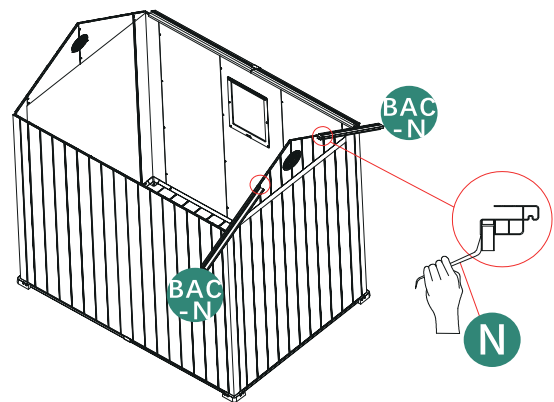
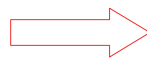
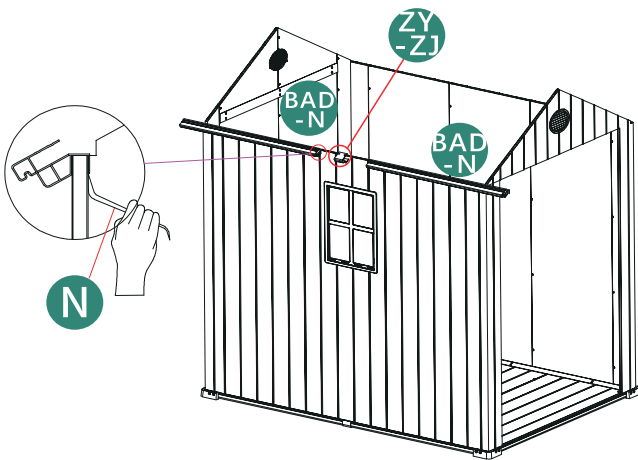
ZY-ZJ 2pcs



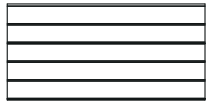
AWD-2 2pcs



N 2pcs



# 14



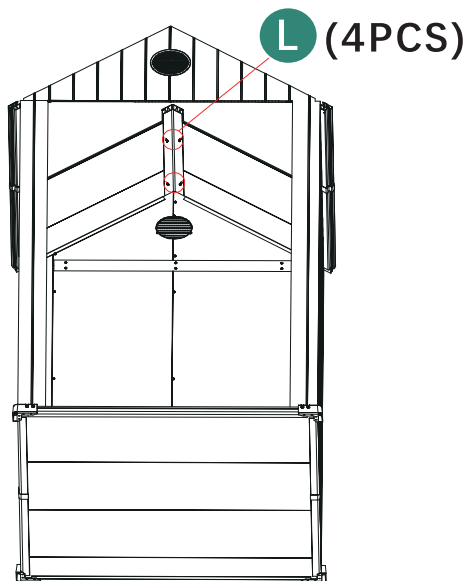
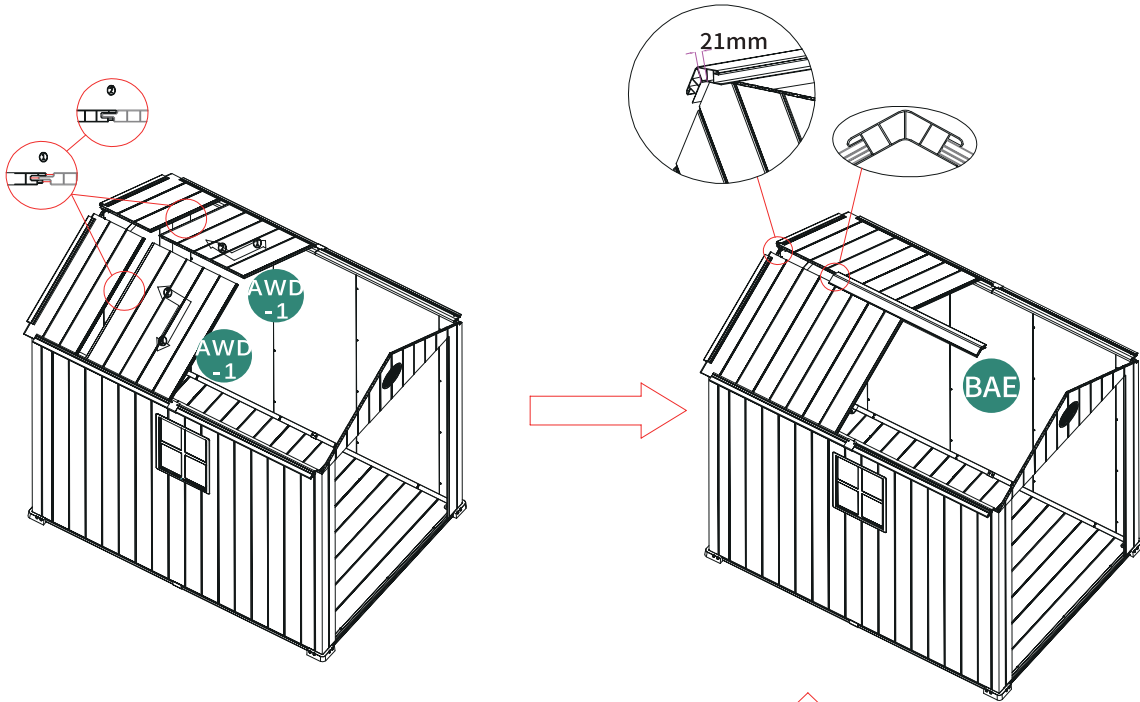
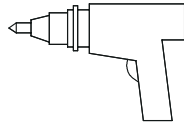
AWD -1 2pcs



BAE 1pc

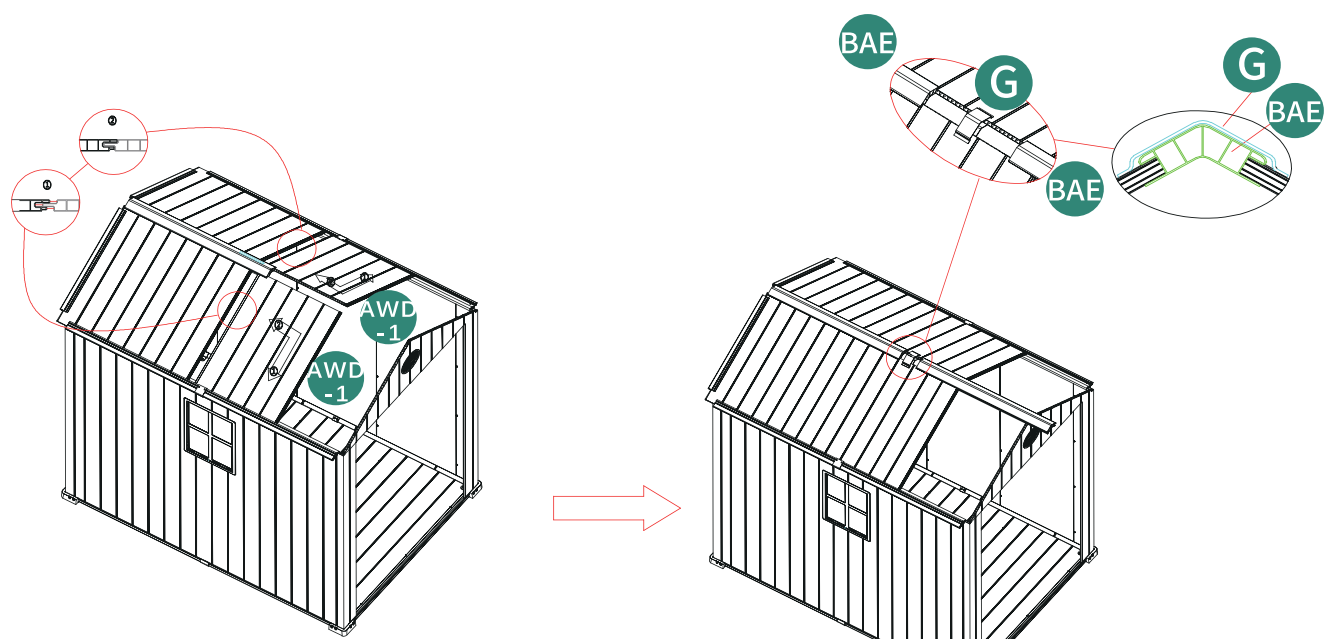


L 4pcs

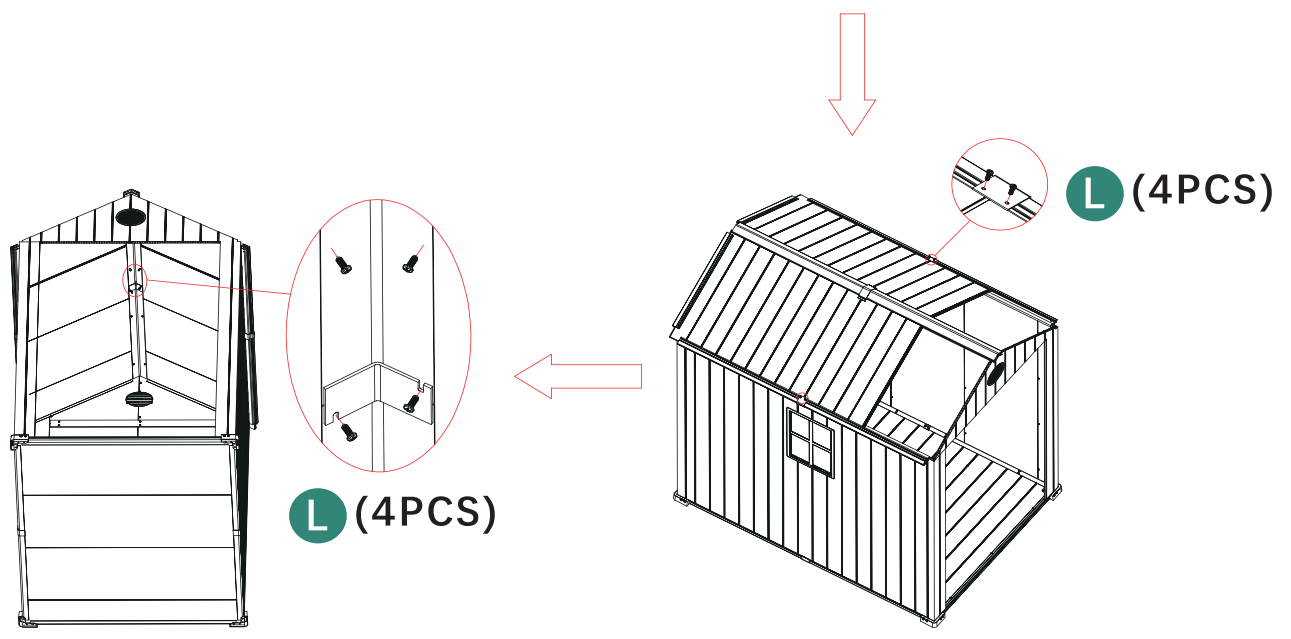


# 15

AWD -1 2pcs    BAE 1pc    G 1pc    L 8pcs

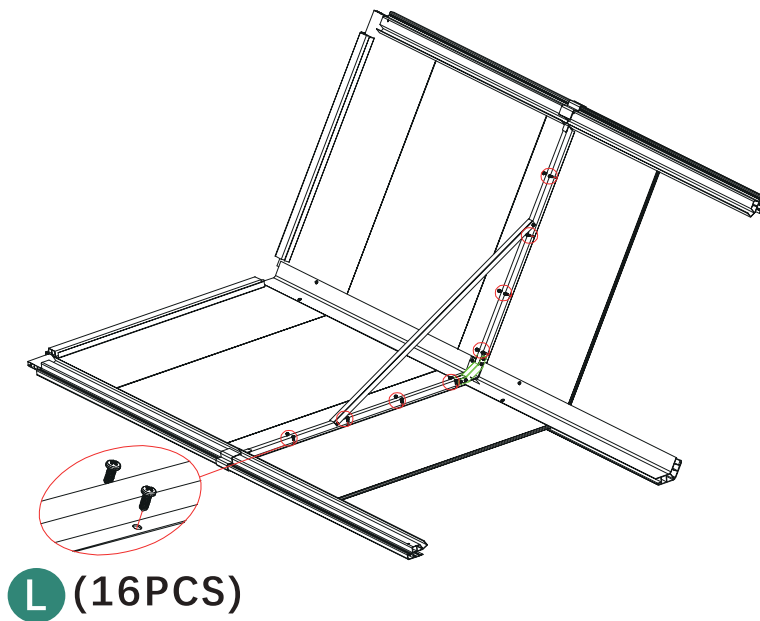
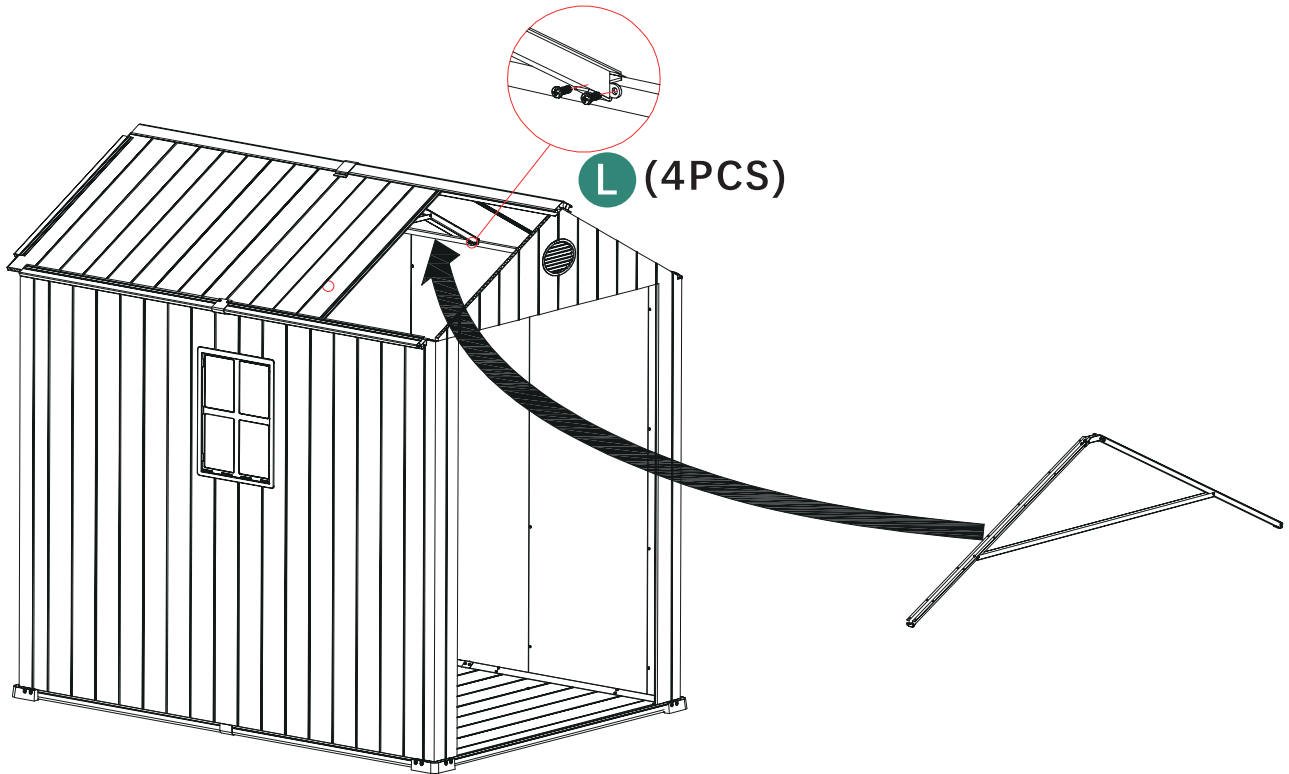
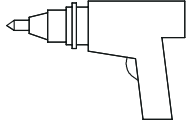


Fully fit to each other without any gap.

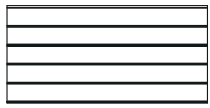


16

  
L 20pcs



# 17



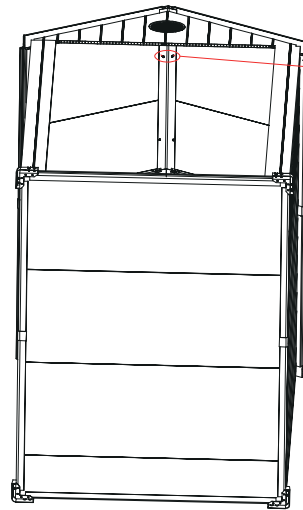
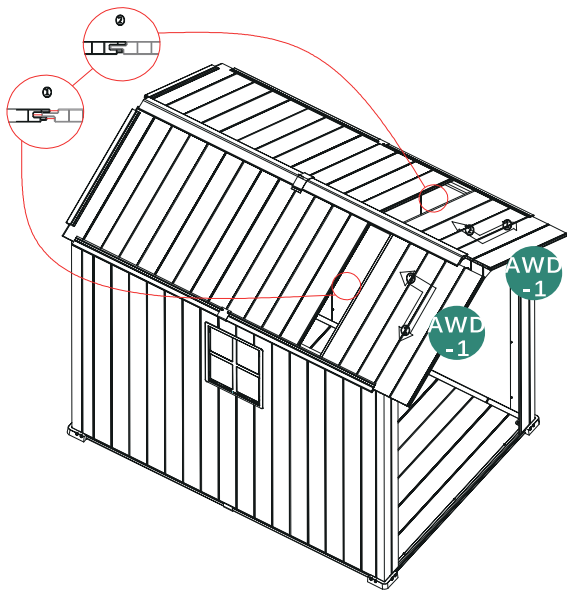
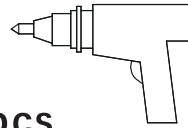
AWD -1 2pcs



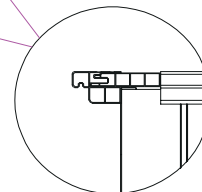
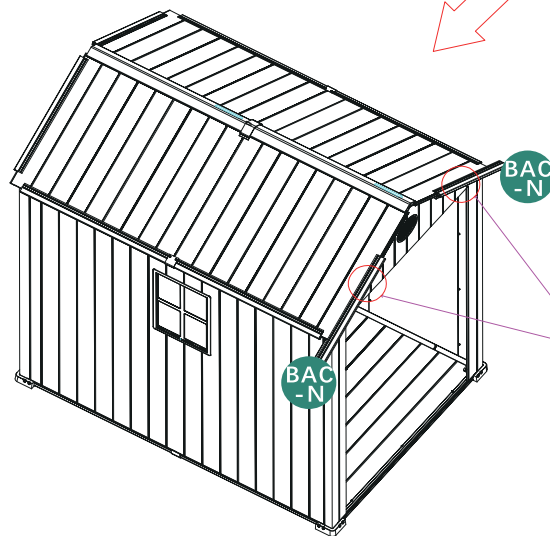
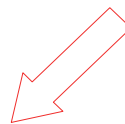
BAC -N 2pcs



L 2pcs



Fully fit to each other without any gap.



# 18



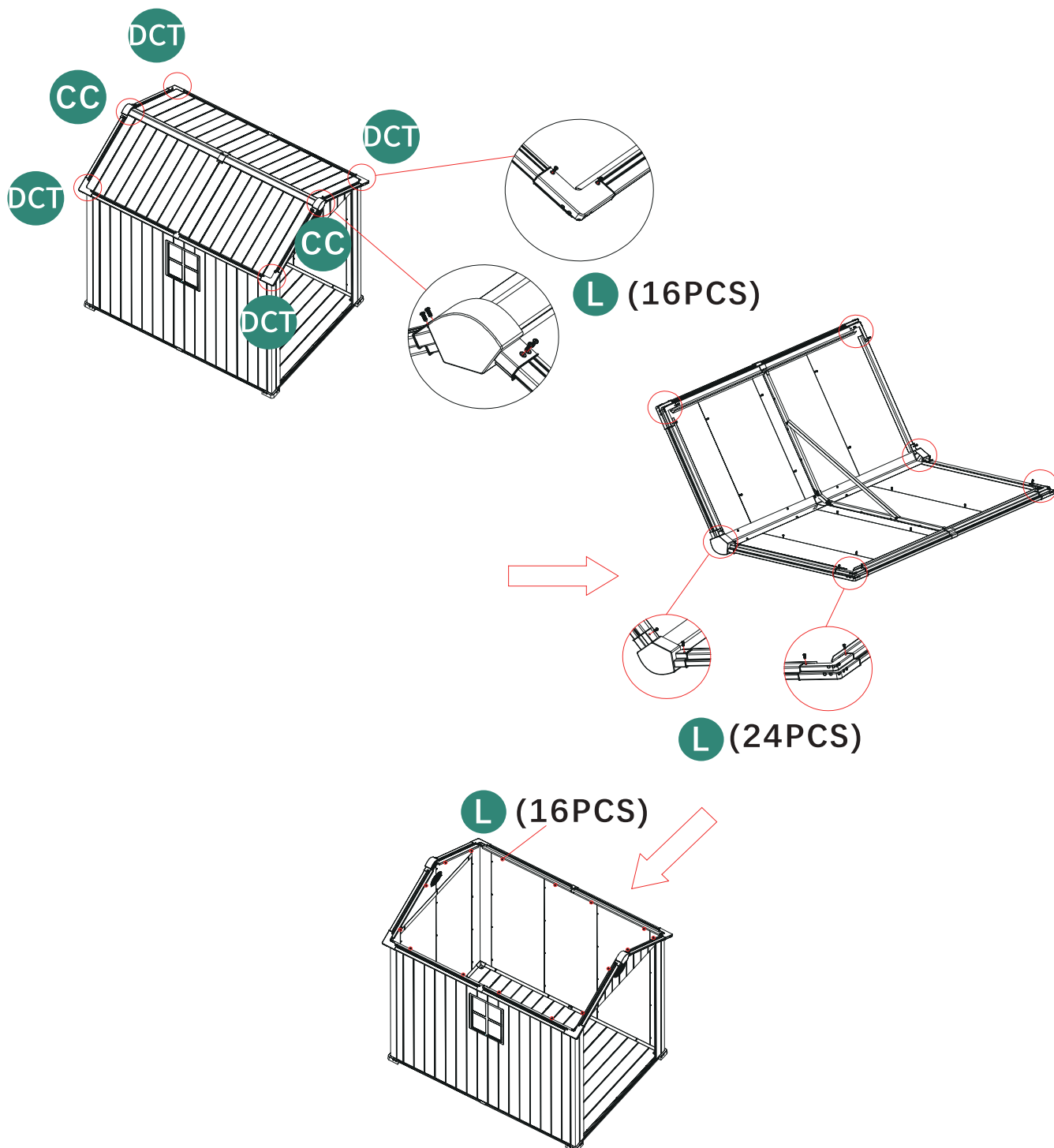
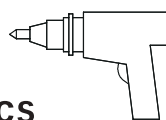
DCT 4pcs



CC 2pcs

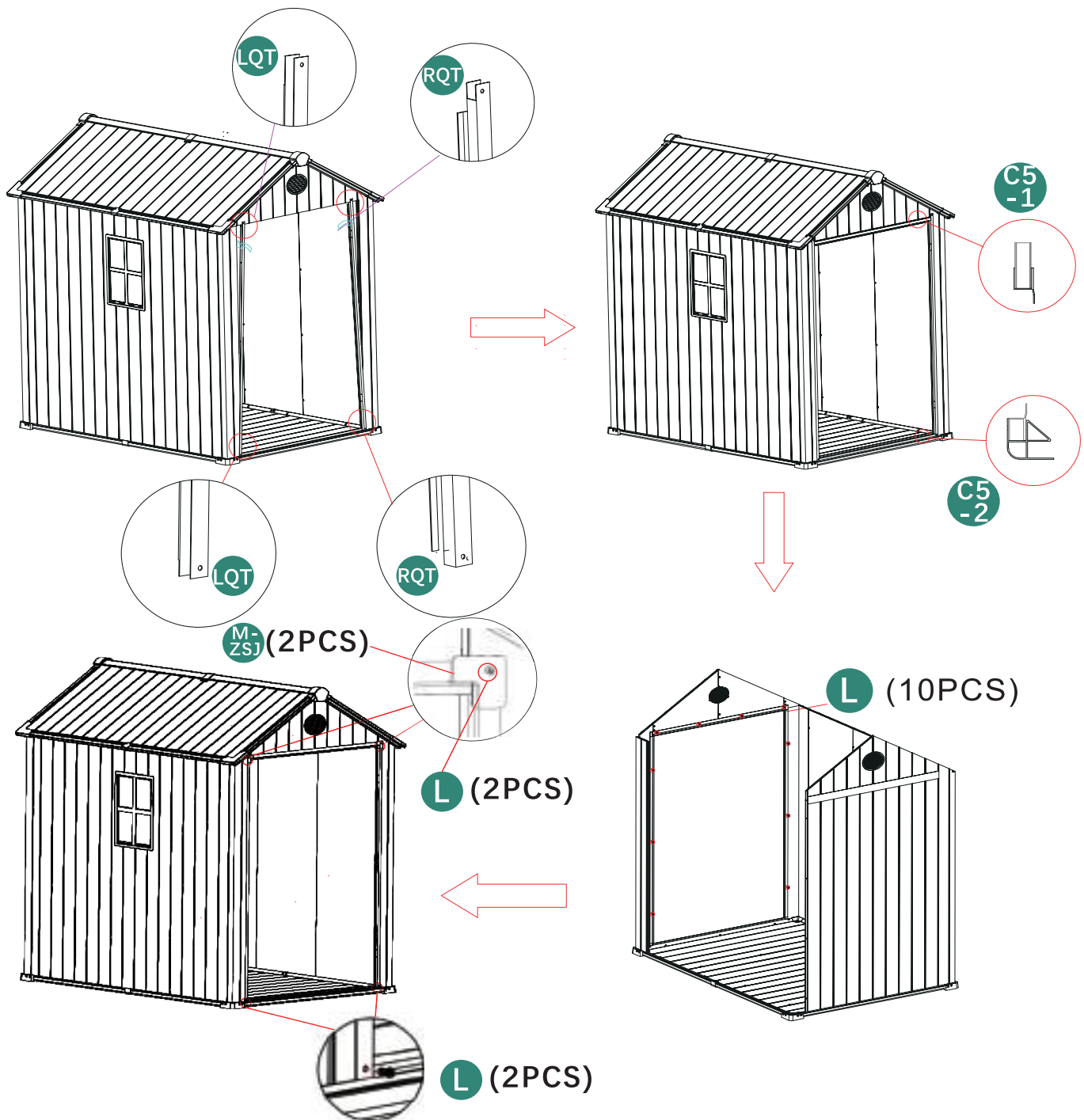


L 56pcs



# 19

LQT 1pc   RQT 1pc   C5-1 1pc   C5-2 1pc   L 14pcs   M-ZSj 2pcs



20



DT-1

2pcs



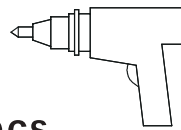
DT-2

4pcs



L

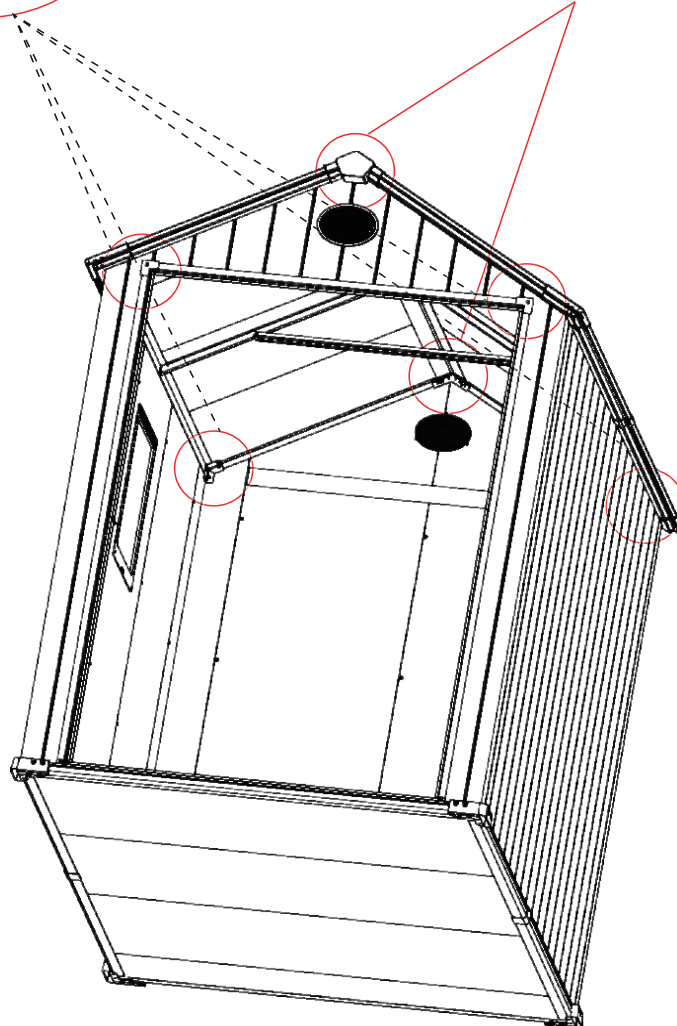
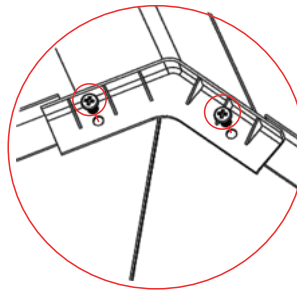
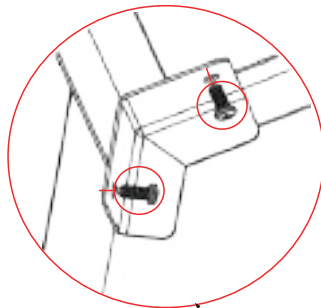
12pcs



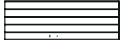
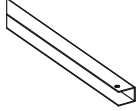







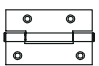
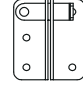

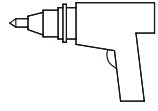
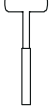
DT-2 (4PCS)

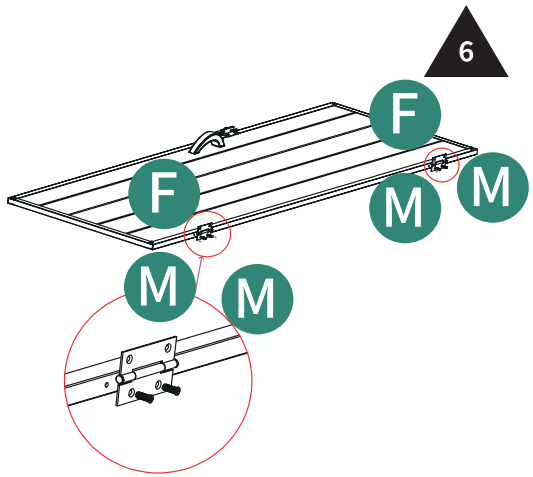
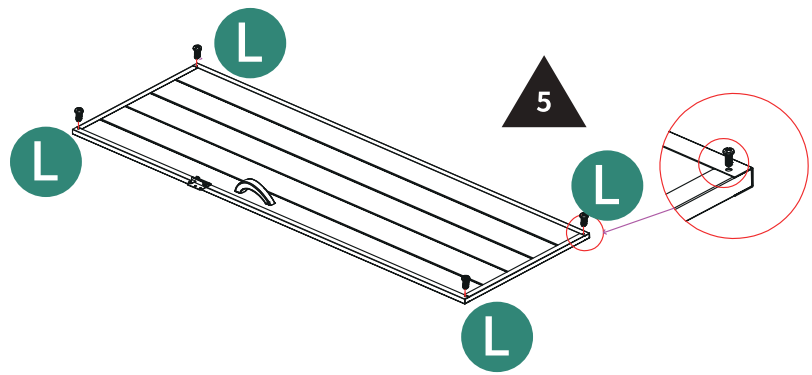
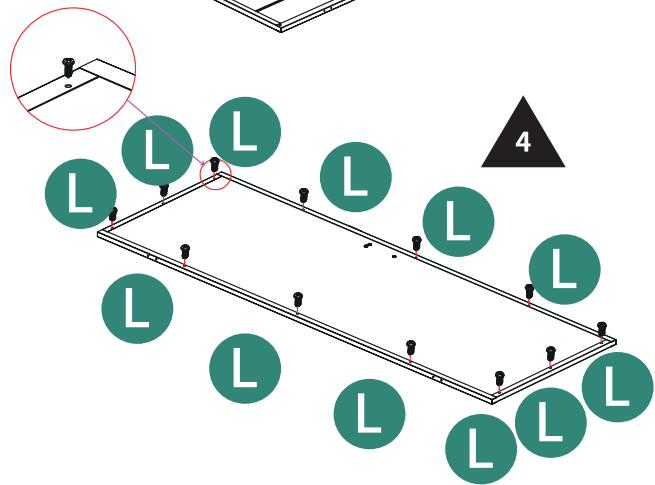
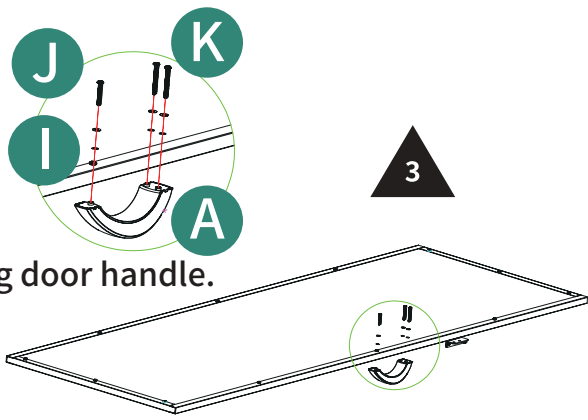
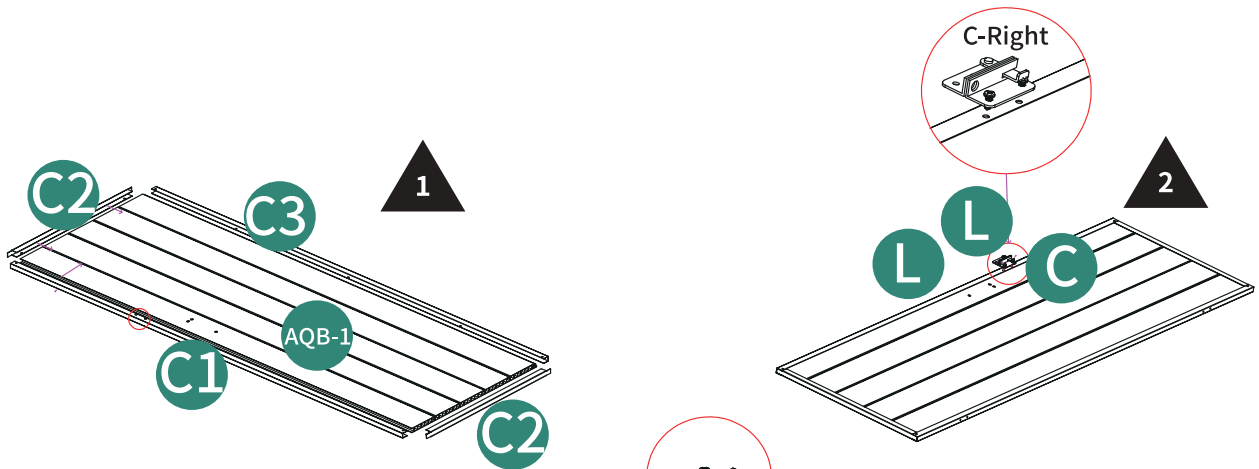
DT-1 (2PCS)

L (12PCS)


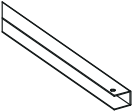







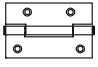
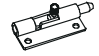

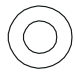
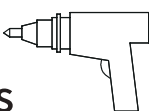


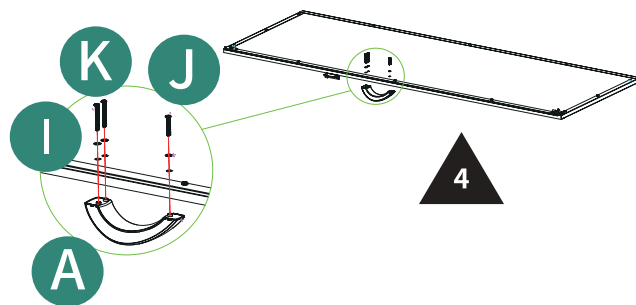
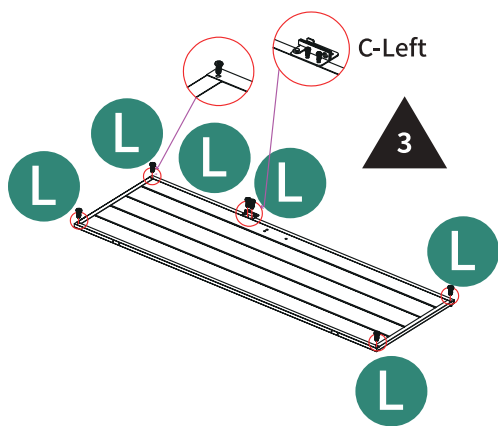
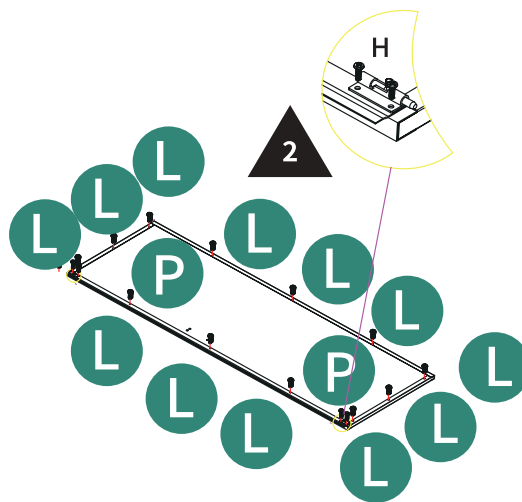
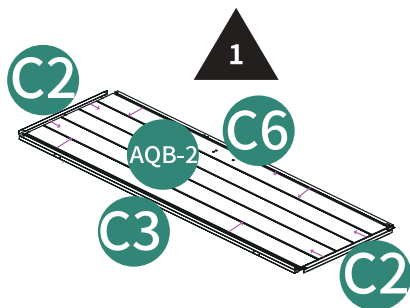
# 21

-  AQB-1 1pc
-  C1 1pc
-  C3 1pc
-  C2 2pcs
-  L 18pcs
-  J 1pc
-  K 2pcs
-  A 1pc
-  M 4pcs
-  F 2pcs
-  C 1pc
-  I 3pcs
- 
- 

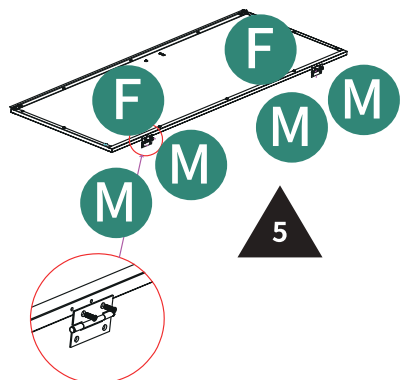


# 22

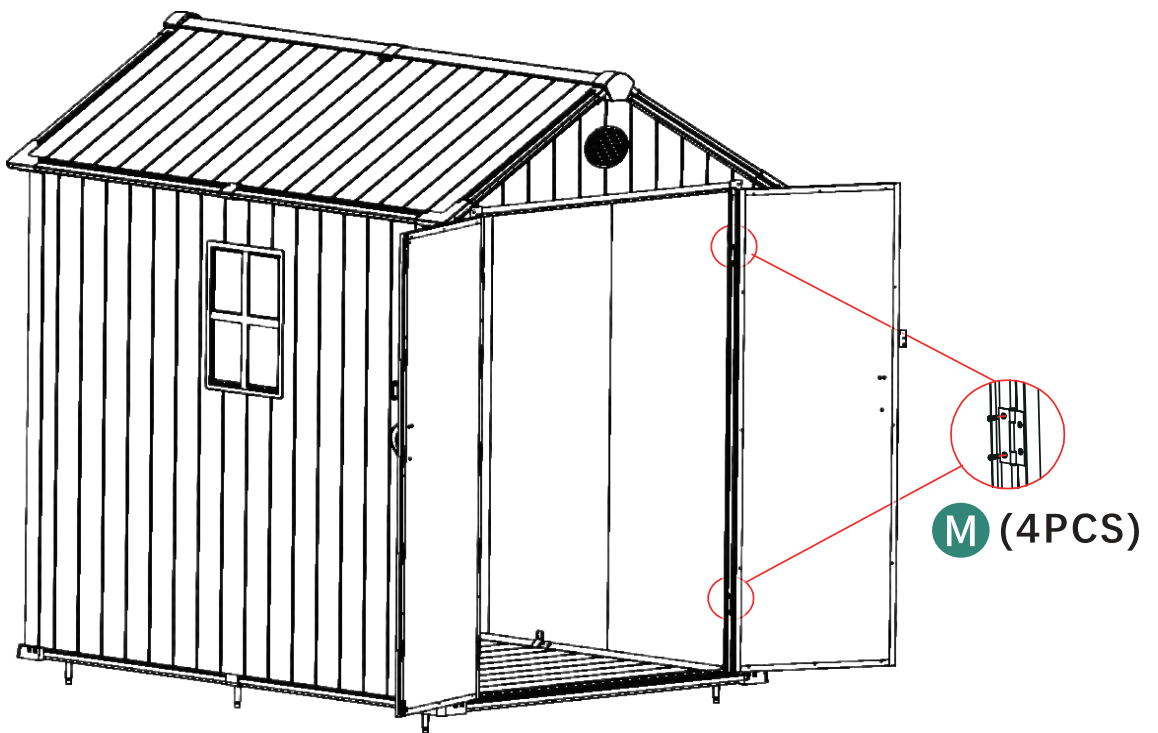
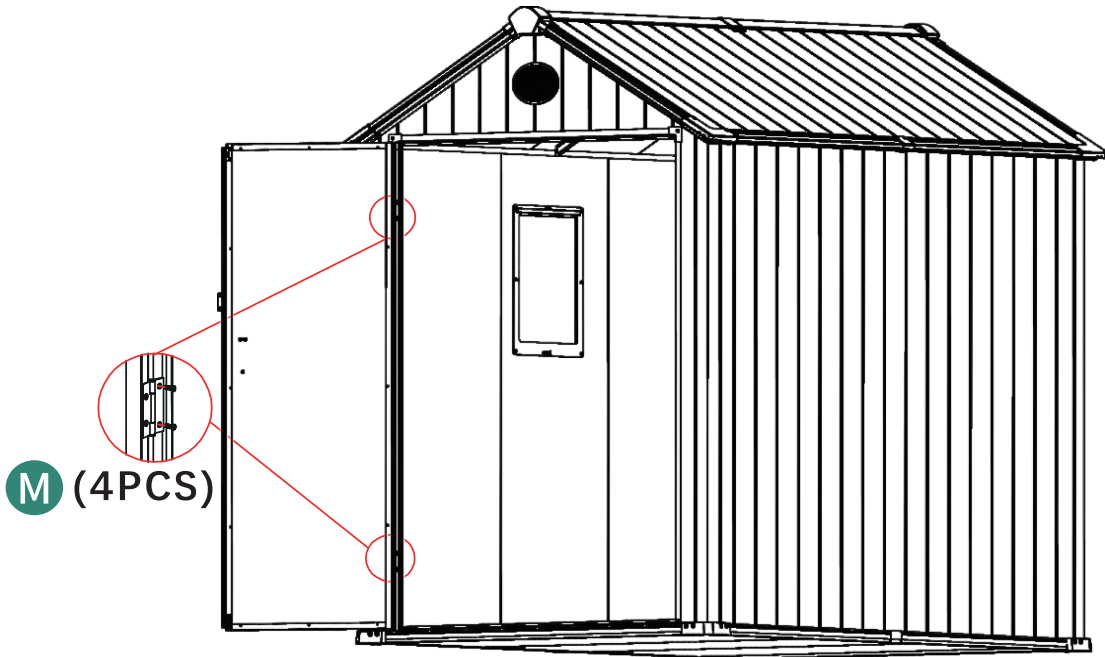
- |   |   |   |   |   |   |   |
|---|---|---|---|---|---|---|
|  |  |  |  |  |  |  |
| ⓐ 1pc   | ⓐ 1pc   | ⓐ 1pc   | ⓐ 2pcs  | ⓐ 18pcs   | ⓐ 1pc   | ⓐ 2pcs  |
|  |  |  |  |  |  |  |
| ⓐ 1pc   | ⓐ 4pcs  | ⓐ 2pcs  | ⓐ 2pcs  | ⓐ 4pcs  | ⓐ 3pcs  |   |



Attaching door handle.



23



# 24



**B** 8pcs



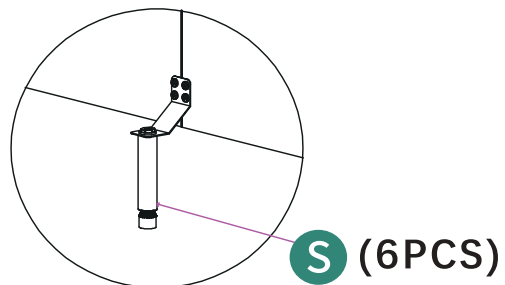
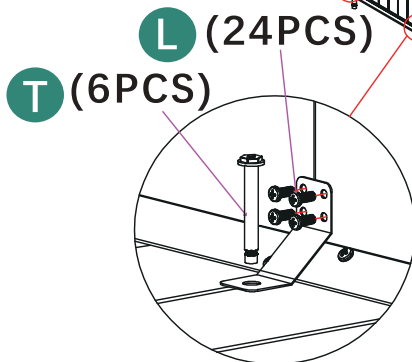
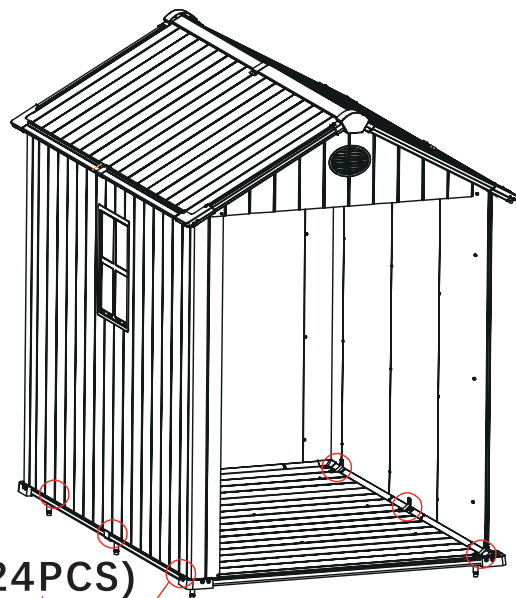
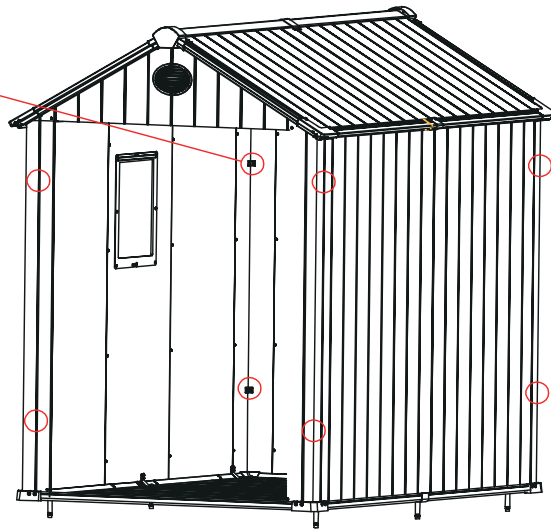
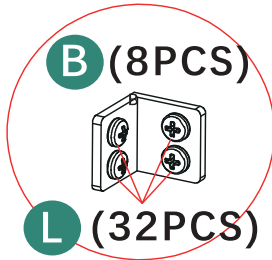
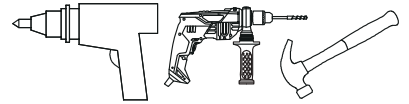
**L** 56pcs



**S** 6pcs



**T** 6pcs



---

25

