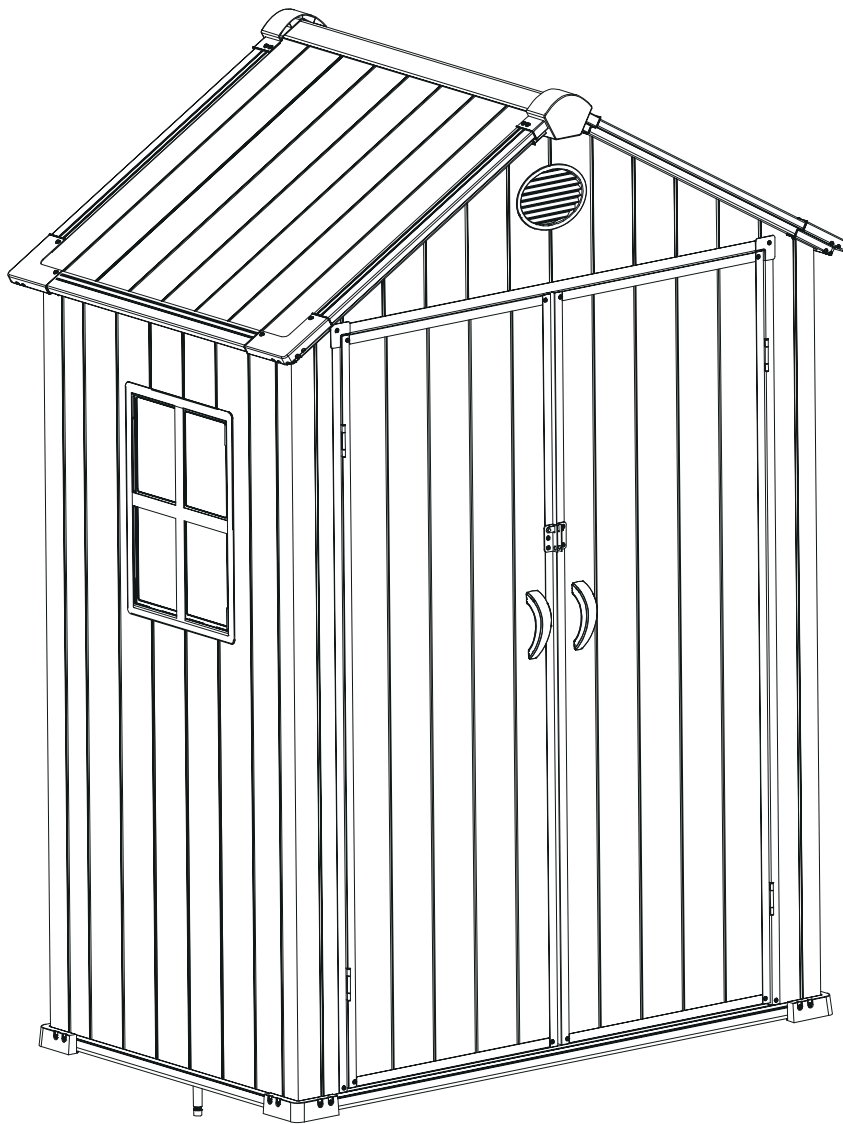
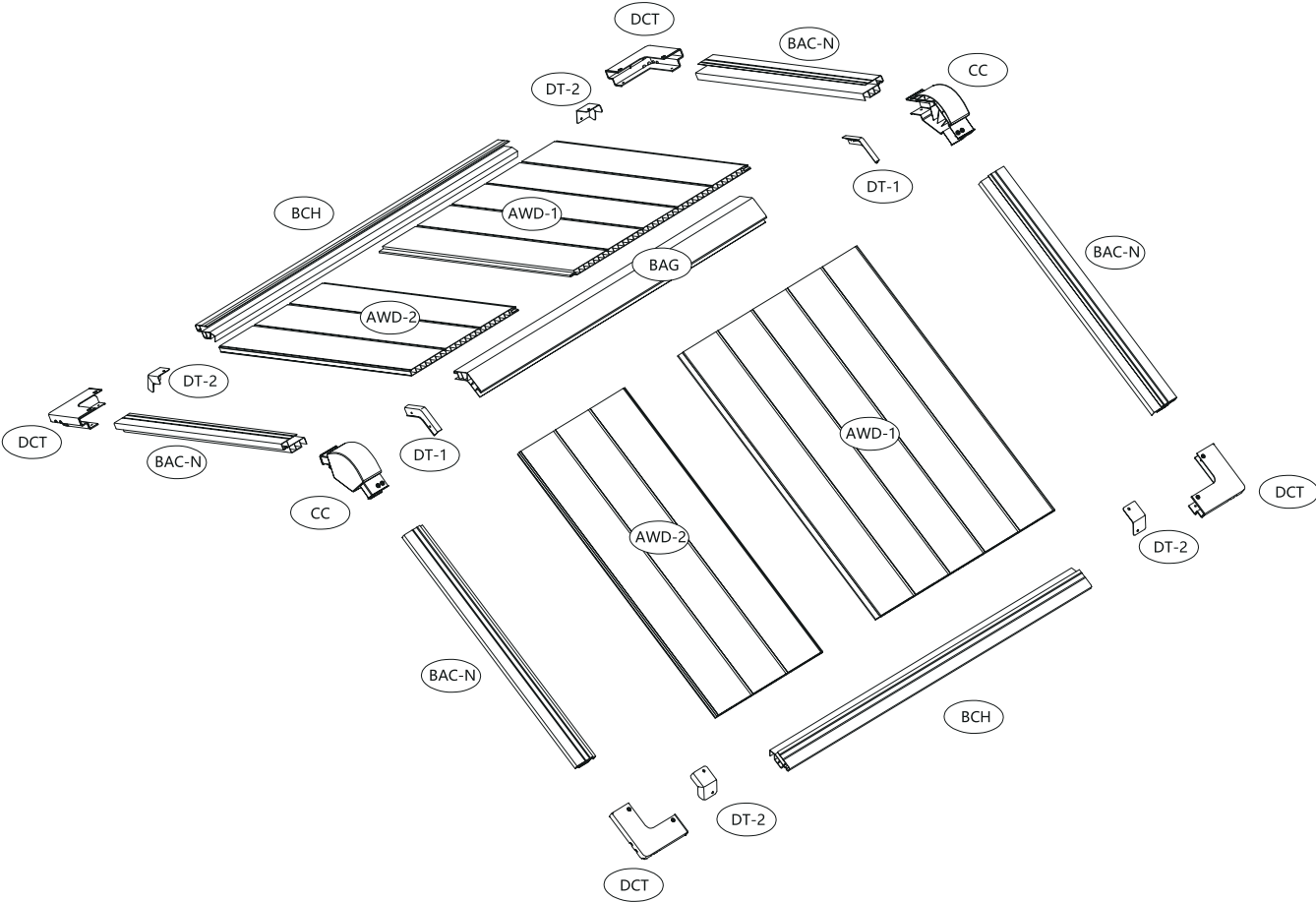


ASSEMBLY INSTRUCTIONS

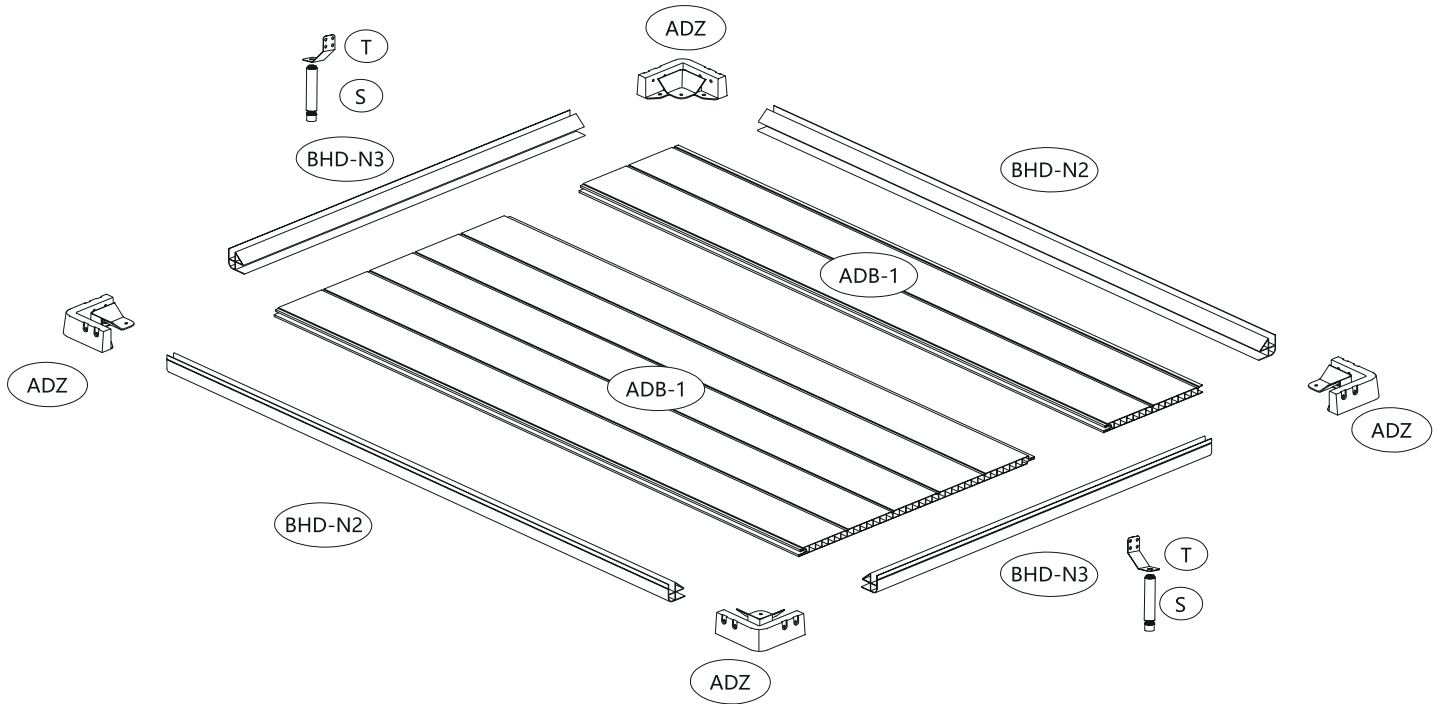
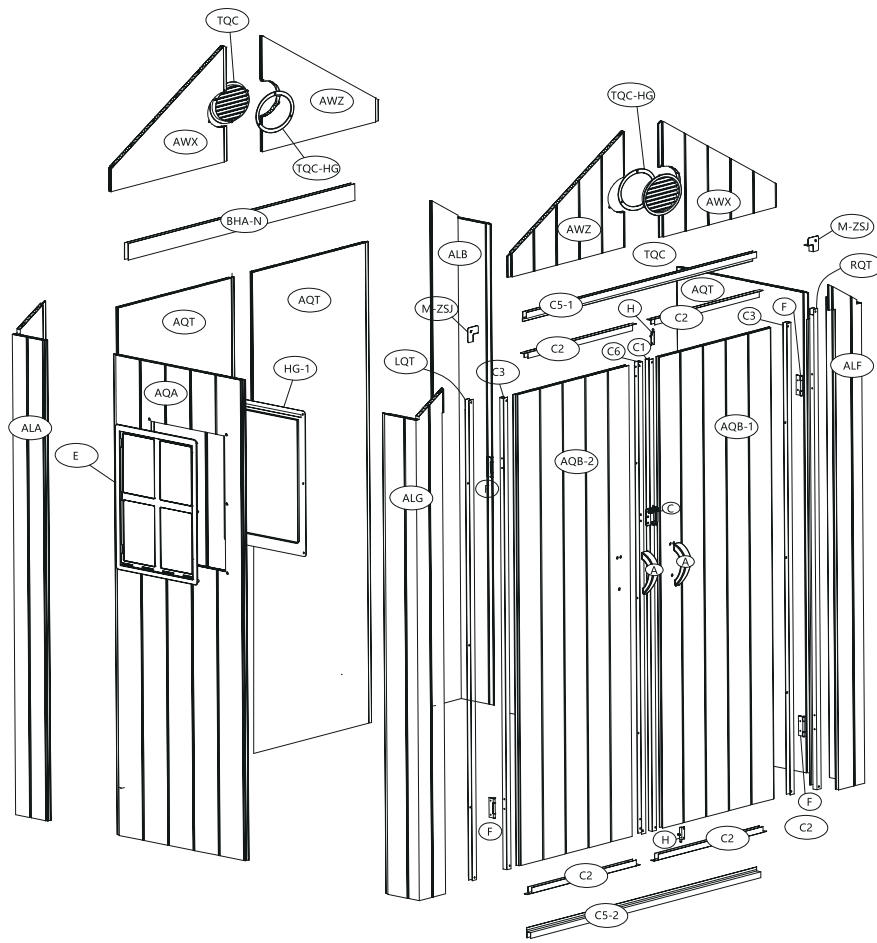
Plastic Storage Shed_6x4 FT



EXPLOSIVE VIEW PART1



EXPLOSIVE VIEW PART2



CARE AND SAFETY GUIDELINES

- The shed is intended for storage purposes only. It is not designed for habitation.
- It is strongly recommended to secure the shed to an immovable object or anchor to the ground by drilling holes in the shed floor (at the instructed locations) and inserting proper screws into the ground.
- Do not attempt assembly on windy or cold days.
- Periodically check the shed to ensure that it is stable and that the site is level.
- Be careful when handling parts with steel edges.
- When assembling or handling the shed, use only those tools listed in the user manual.
- Always wear work gloves, safety goggles and long sleeves when assembling or performing any maintenance on your shed.
- Avoid using a lawnmower or mechanical scythe near the shed.
- Wear safety goggles and always follow the manufacturer's instructions when using power tools.
- Wash the shed with a garden hose or a mild detergent solution. Do not use a metal brush or abrasive cleaners, including degreasers and oil- or acetone-based cleaning materials, as these may stain or damage the shed.
- Do not store hot items, such as recently used grills and blowtorches, and volatile chemicals in the shed.
- Avoid placing heavy items against the walls, as this may cause distortion.
- Keep the roof clear of accumulated snow and leaves. Large amounts of snow on the roof can damage the shed, making it unsafe to enter.
- Wind direction is an important factor to consider when determining the location of the shed. Reduce exposure to the wind, in general, and of the door side in particular. Keep doors closed and locked when the shed is not in use to prevent wind damage.
- Do not stand on the roof.
- Consult your local authorities to check if permits are required to erect the shed.

Assembly Preparation

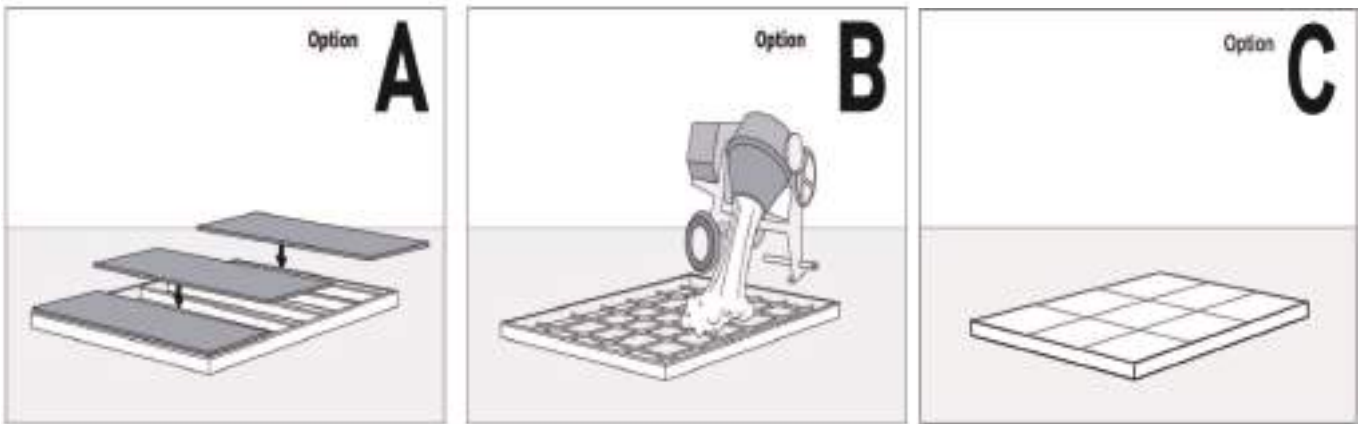
1、 Site preparation

Leveling the ground.



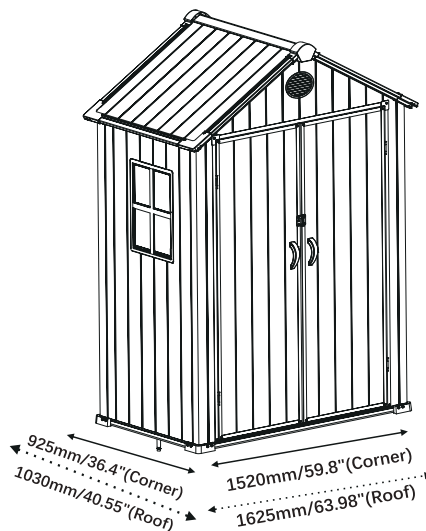
2、 Set up the base

It is recommended to build a wooden base or concrete base.



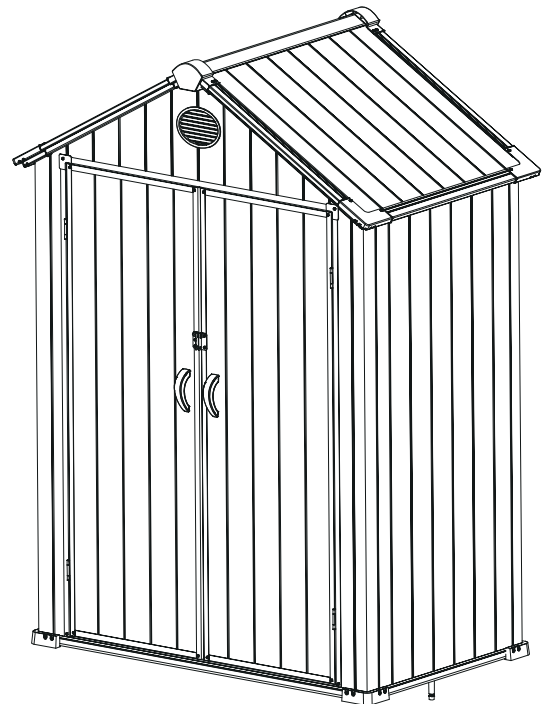
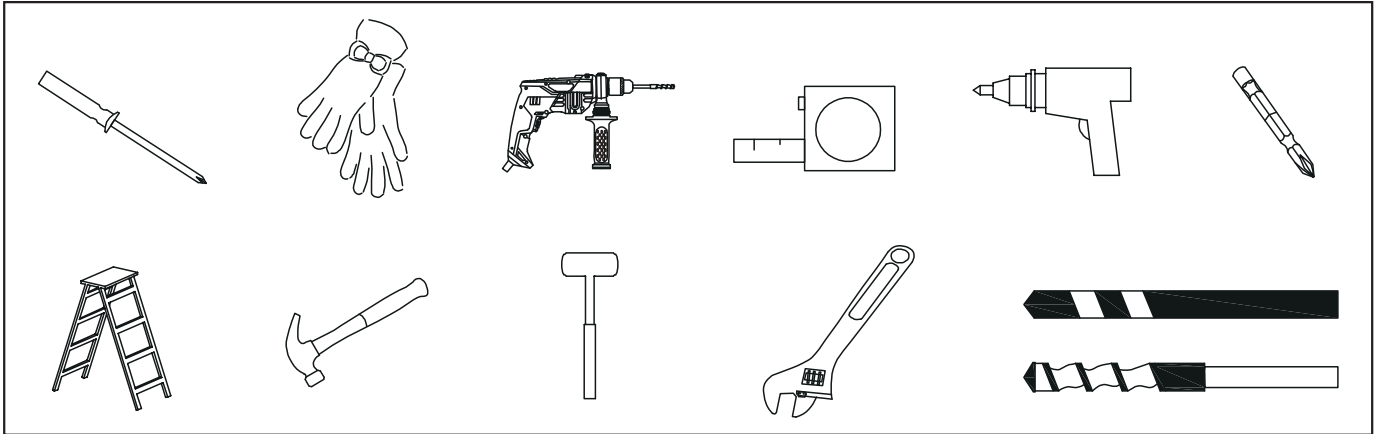
3、 Leave enough space

Operating space shall be reserved for external installation work.



Contents

REQUIRED TOOLS


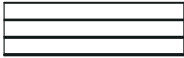
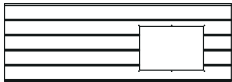
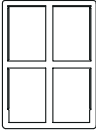
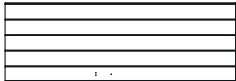
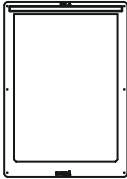
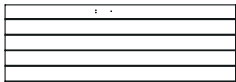
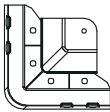
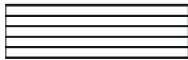
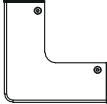
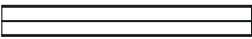

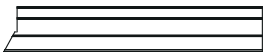

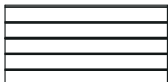



Accessories & Parts 1

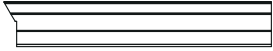
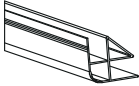
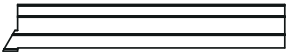
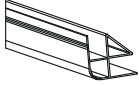
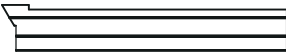
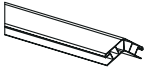
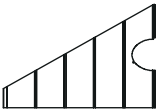
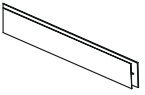
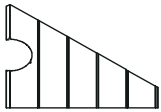

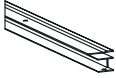

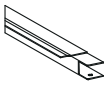
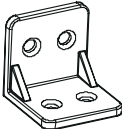
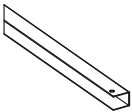
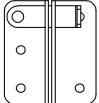

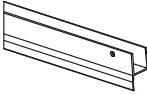

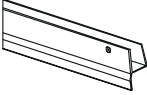
"IMPORTANT, RETAIN FOR FUTURE REFERENCE: READ CAREFULLY"





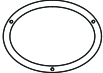

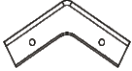

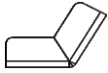
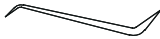


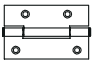



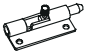

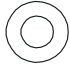
1. Gather and organize all required parts before assembling.
2. Assemble shed on a flat, clean surface.
3. Two or more people are required for assembly.

Item No.	Reference Image	Qty.	Item No.	Reference Image	Qty.
AQT		X3	AWD-2		X2
AQA		X1	E		X1
AQB-1		X1	HG-1		X1
AQB-2		X1	ADZ		X4
ADB-1		X1	DCT		X4
ADB-3		X1	CC		X2
ALA		X1	BAC-N		X4
AWD-1		X2	BCH		X2

Accessories & Parts 2

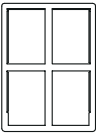

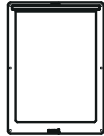

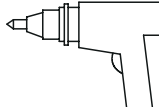
Item no.	Reference Image	Qty.	Item no.	Reference Image	Qty.
ALB		X1	BHD-N2		X2
ALF		X1	BHD-N3		X2
ALG		X1	BAG		X1
AWZ		X2	BHA-N		X1
AWX		X2	TQC		X2
LQT		X1	A		X2
RQT		X1	B		X8
C1		X1	C		X1
C2		X4	C5-1		X1
C3		X2	C5-2		X1

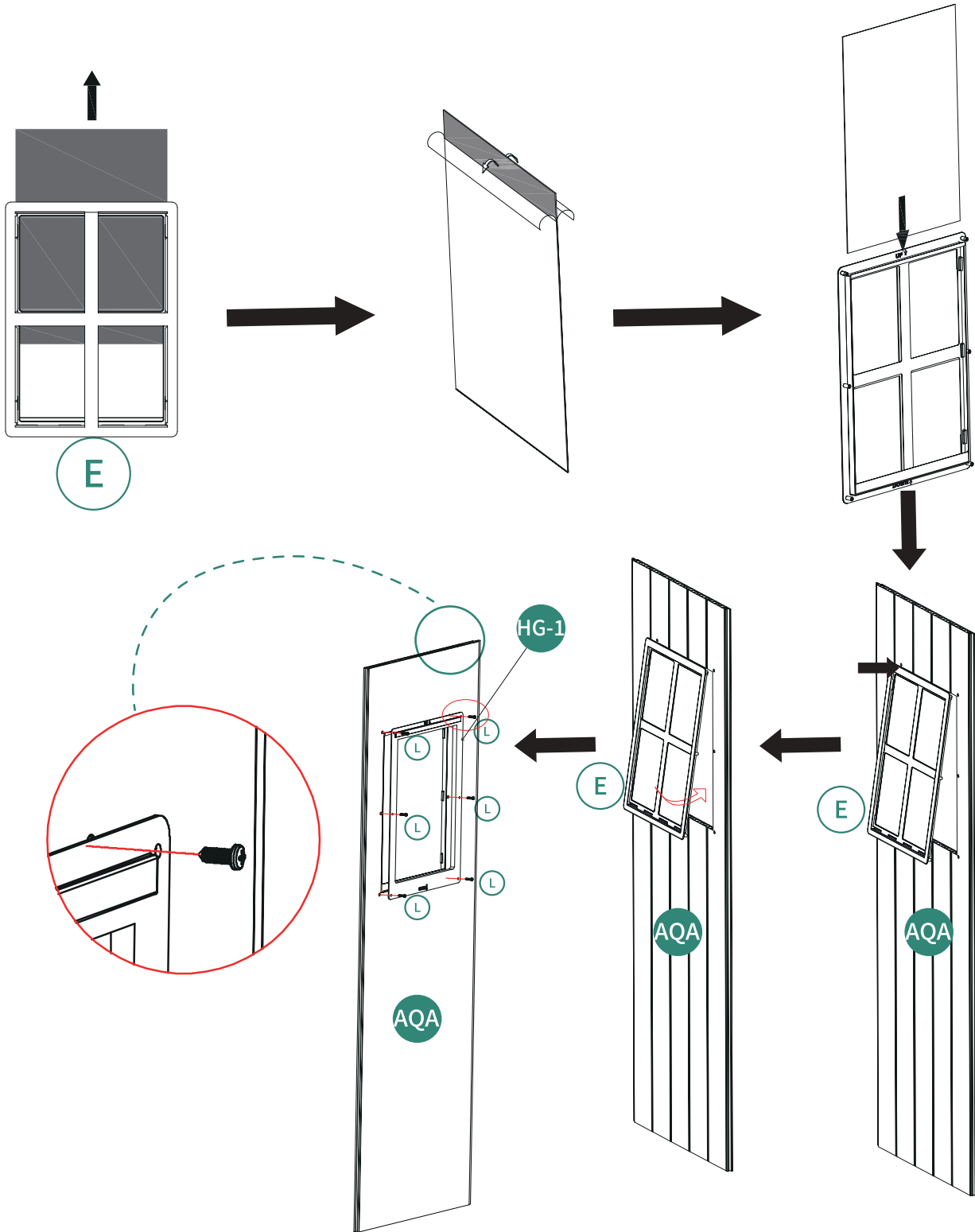
Accessories & Parts 3

Item no.	Reference Image	Qty.	Item no.	Reference Image	Qty.
M-ZSJ		X2	J	 M4X30mm	X2
TQC-HG		X2	K	 M4X40mm	X4
DT-1		X2	L	 M5X14mm	X245
DT-2		X4	N		X2
C6		X1	M	 M4X14mm	X16
F		X4	O	 M5X20mm	X16
T		X2	P	 M4X14mm	X4
H		X2	S	 M6X80mm	X2
I		X6			

Window Installation

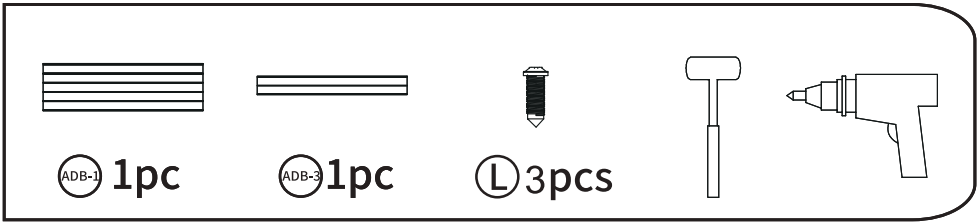
1

 **E 1pc**  **AQA 1pc**  **HG-1 1pc**  **L 6pcs** 



Floor Installation 1

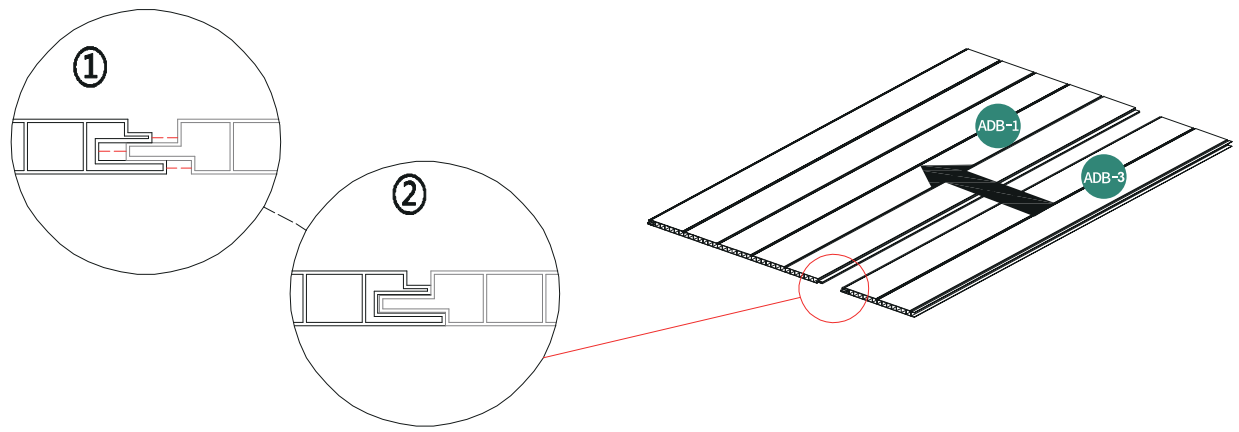
2



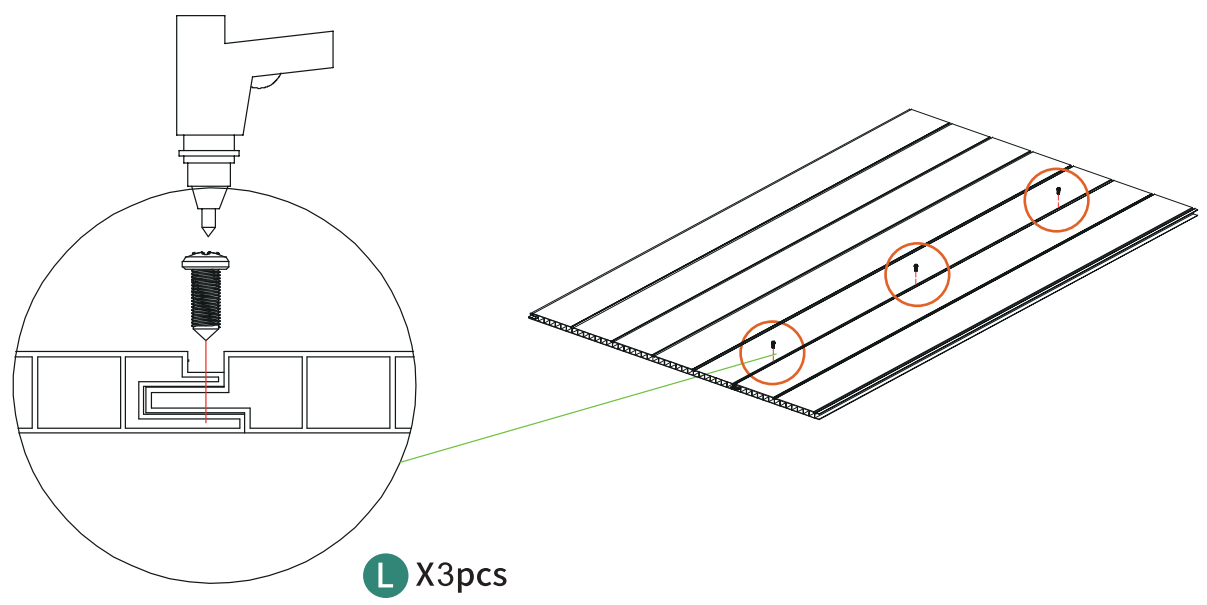
ADB-1 1pc ADB-3 1pc L 3pcs

Hammer Power Drill

Note: Be sure to face stripes upwards!
Fully fit the panels to each other to avoid any gap.

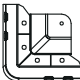



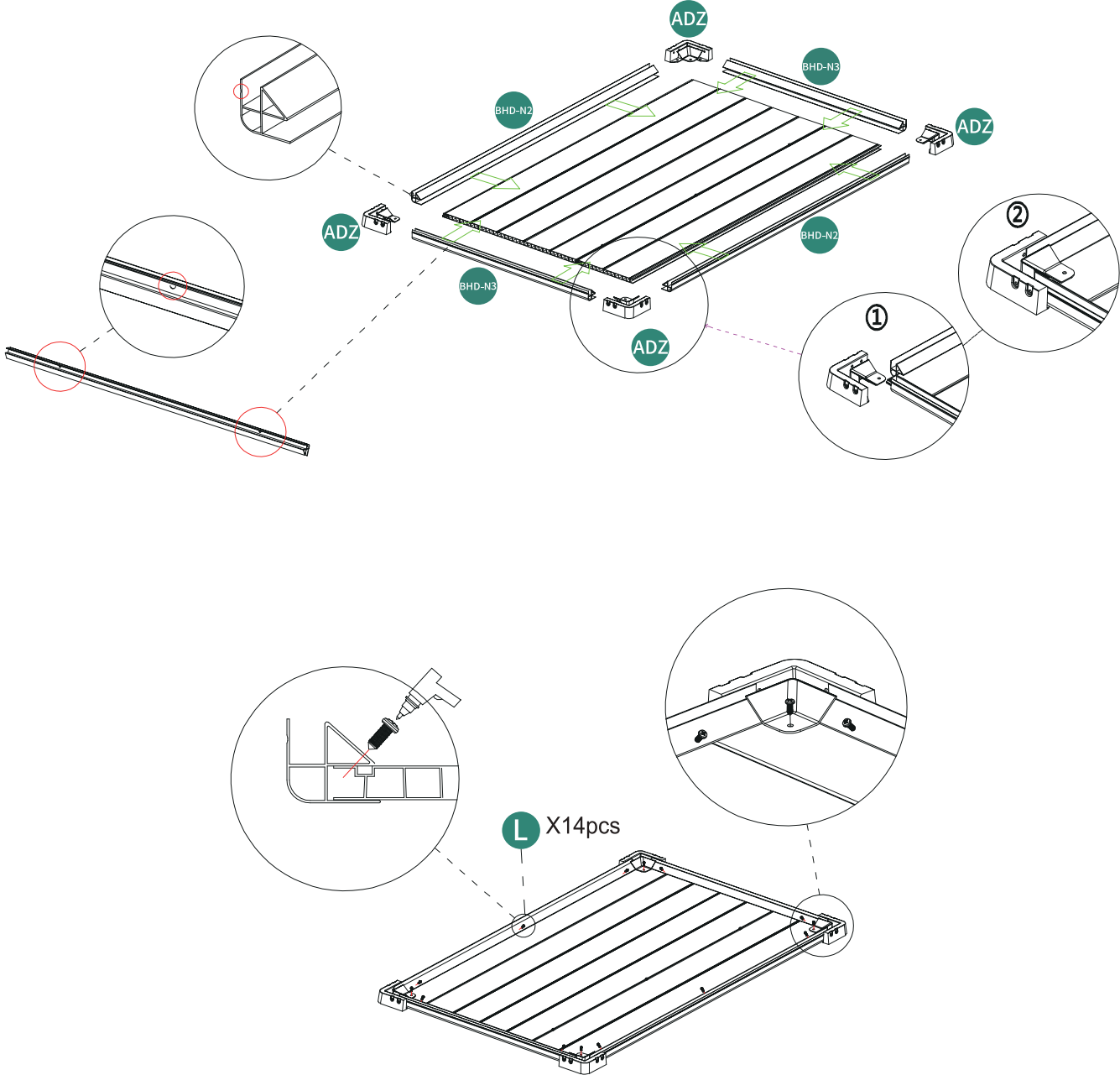
⚠ Pay attention to the groove as shown.



Floor Installation 2

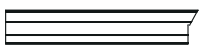
3

-  ADZ 4pcs
-  BHD-N2 pcs
-  BHD-N3 pcs
-  L 14pcs
- 



Screws attaching BHD-N3,BHD-N2,ADZ to floor panel.

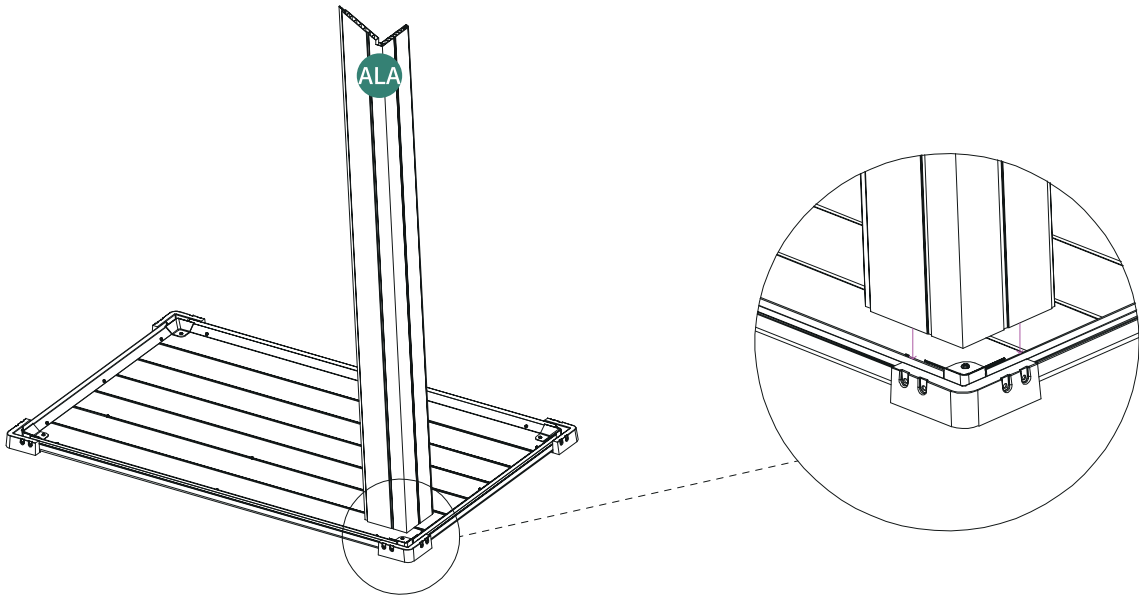
4



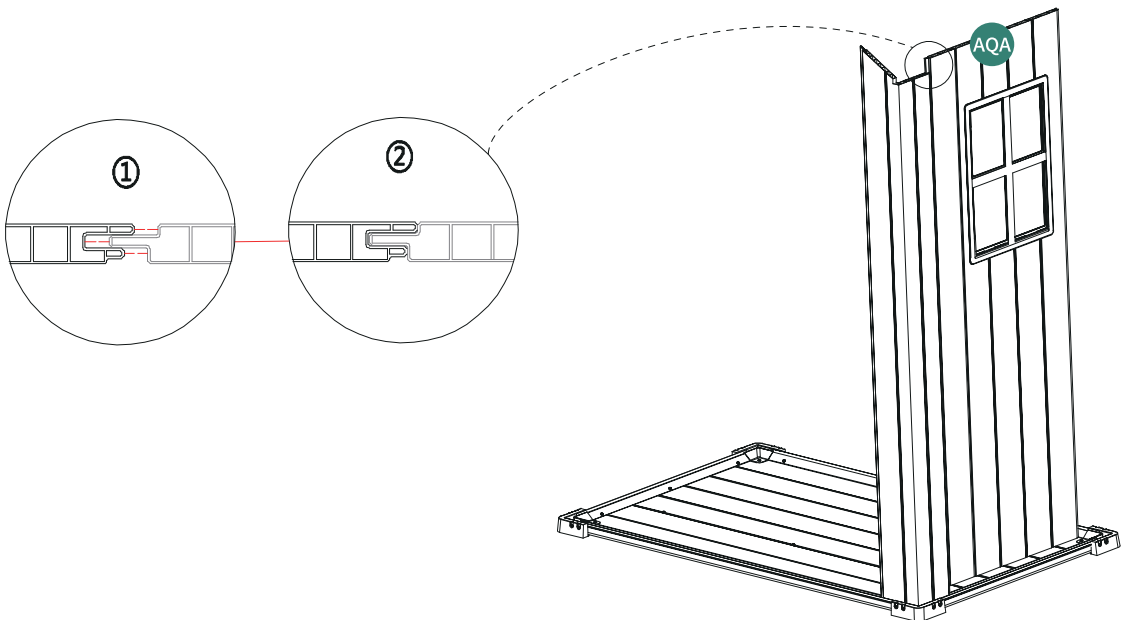
ALA 1pc



AQA 1pc



Fully fit to each other without any gap.

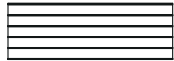


Fully fit the panel inside the profile.

5



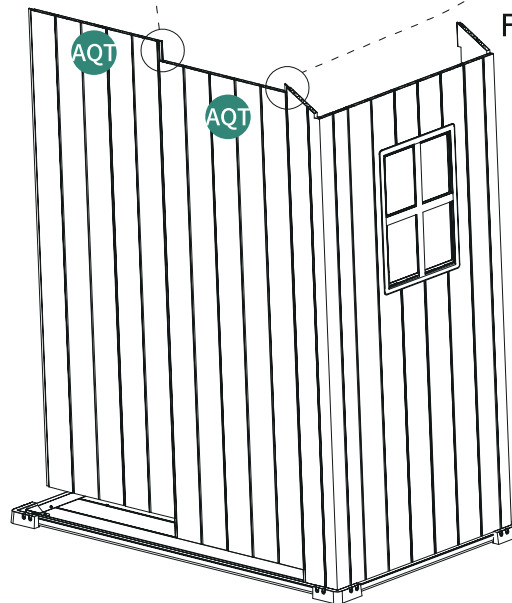
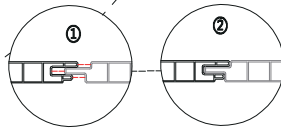
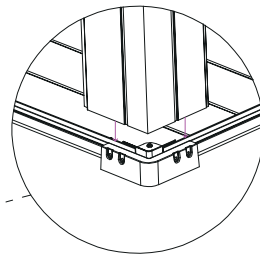
ALG 1pc



AQT 2pcs



Fully fit the panel inside the profile



Fully fit to each other without any gap.

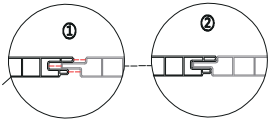
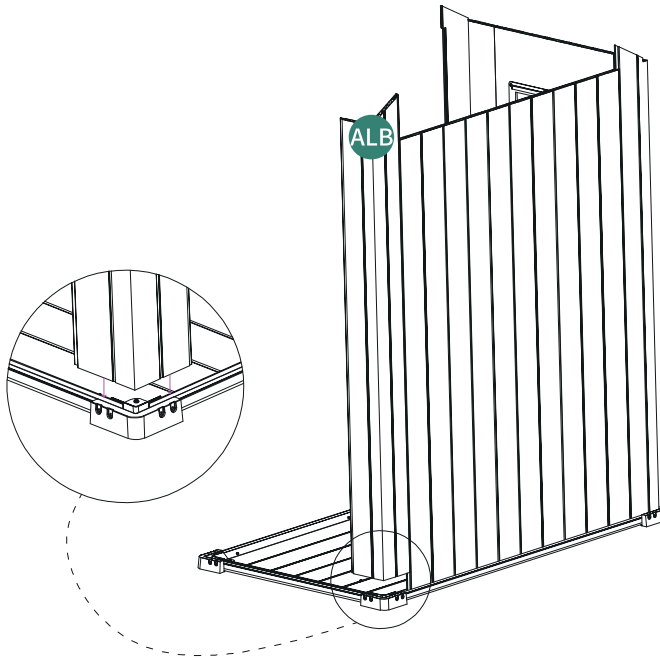
6



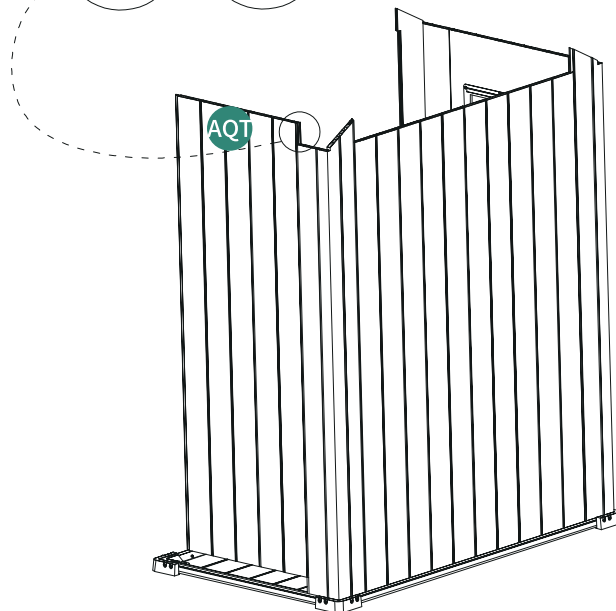
ALB 1pc



AQT 1pc



Fully fit to each other without any gap.



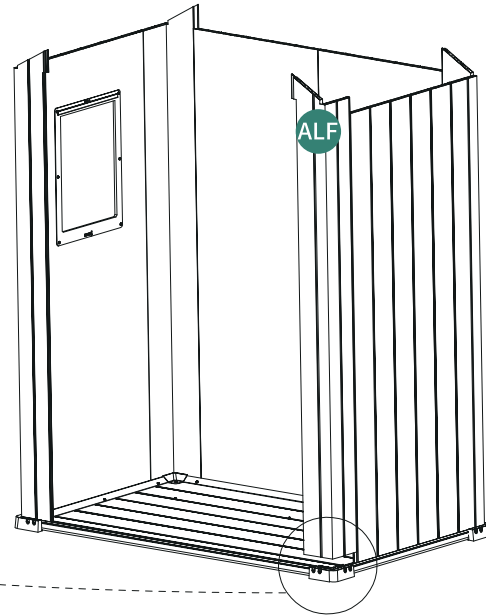
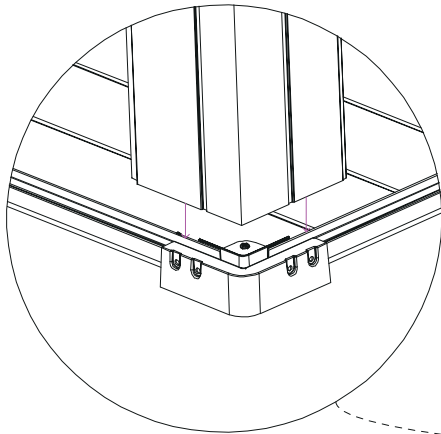
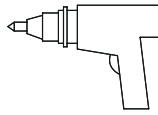
7



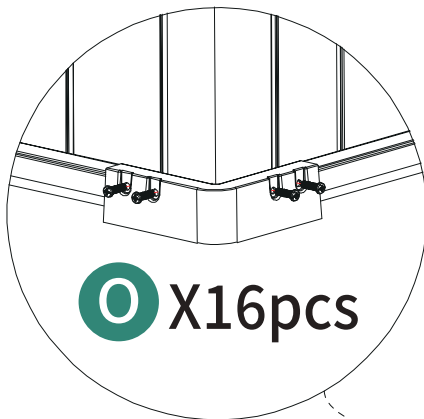
ALF 1pc



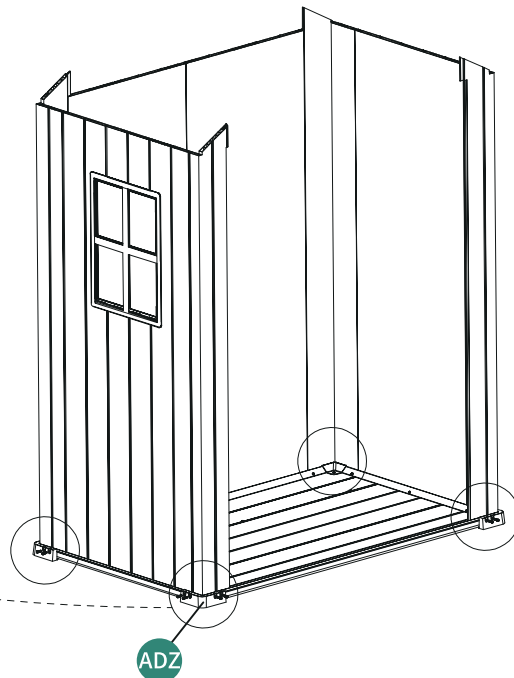
⊙ 16pcs



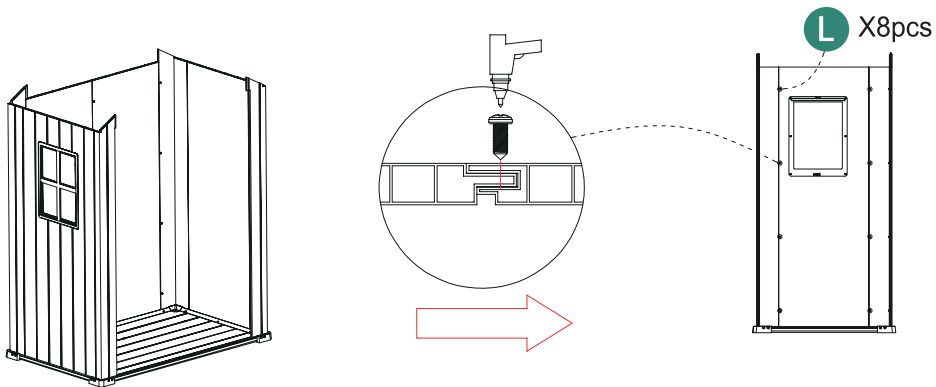
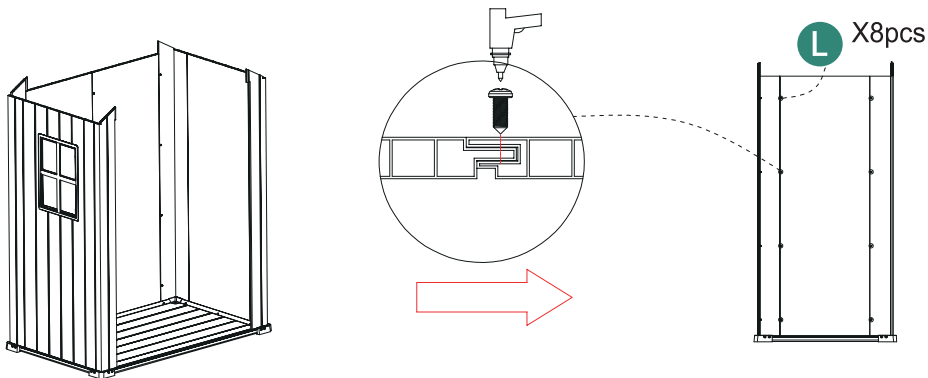
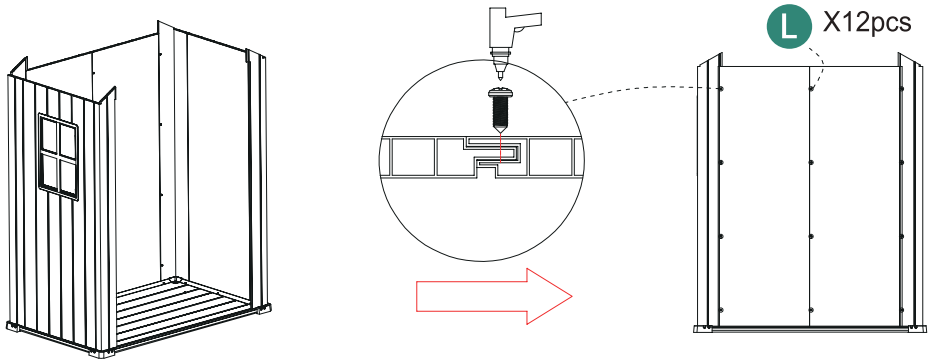
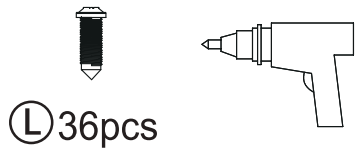
Fully fit to each other without any gap.



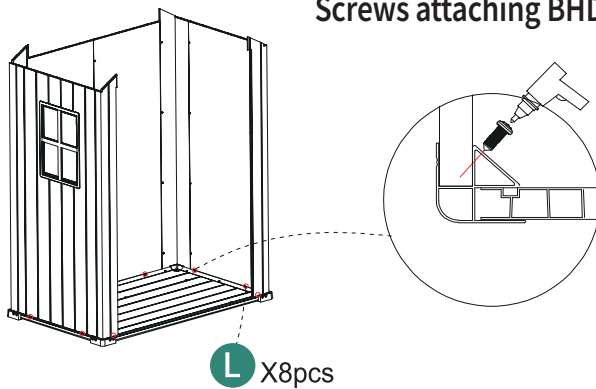
⊙ X16pcs



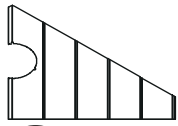
8



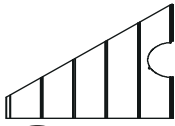
Screws attaching BHD-N3,BHD-N2,AQT and ADZ to floor panel.



9



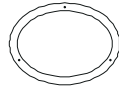
AWX 1pc



AWZ 1pc



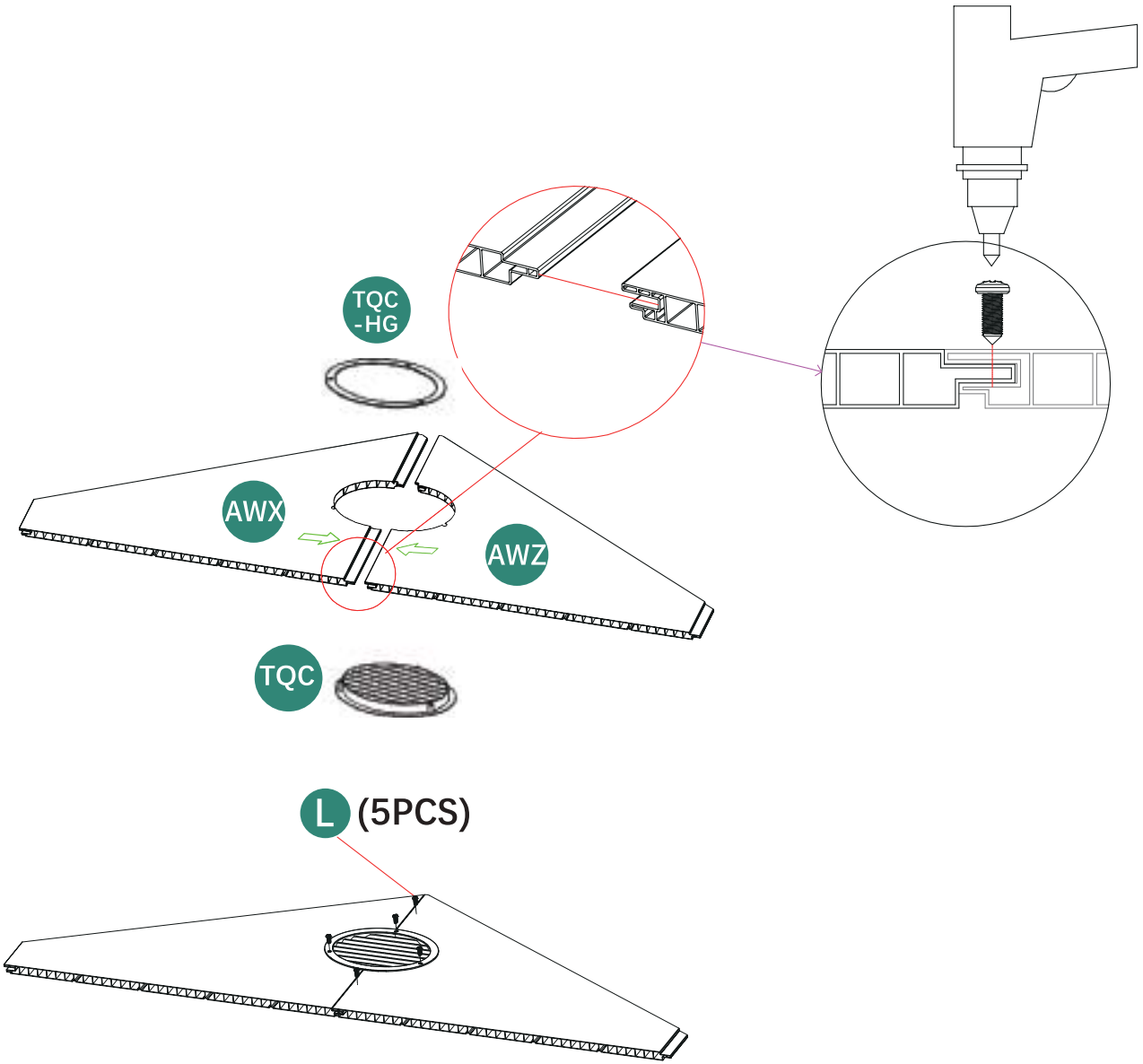
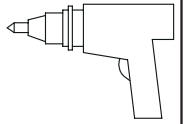
TQC 1pc



TQC-HG 1pc

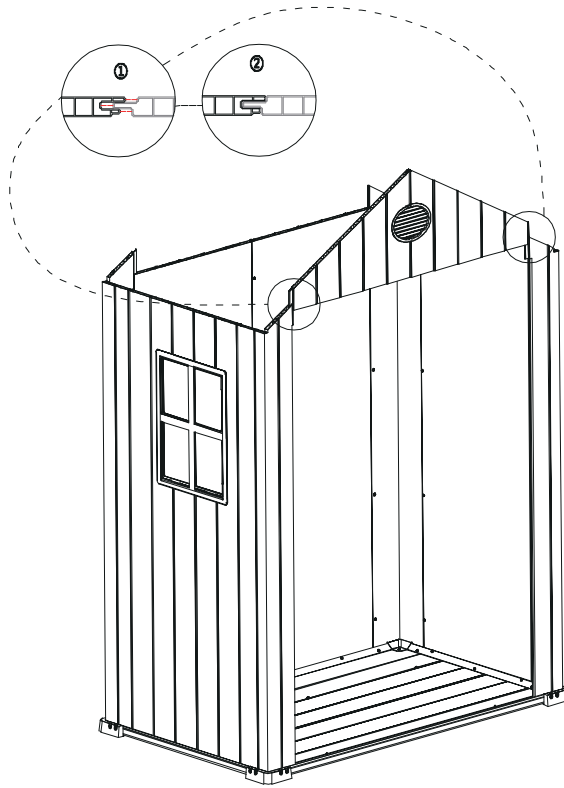
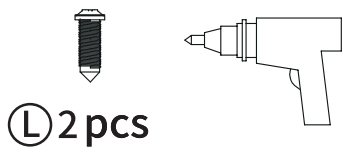


L 5pcs

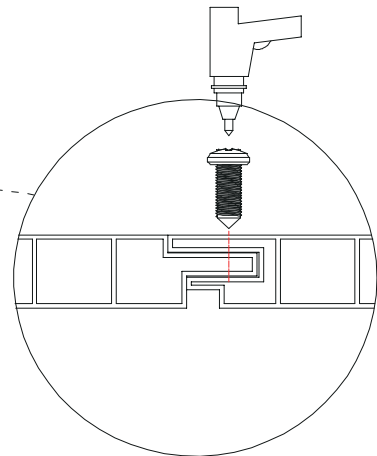
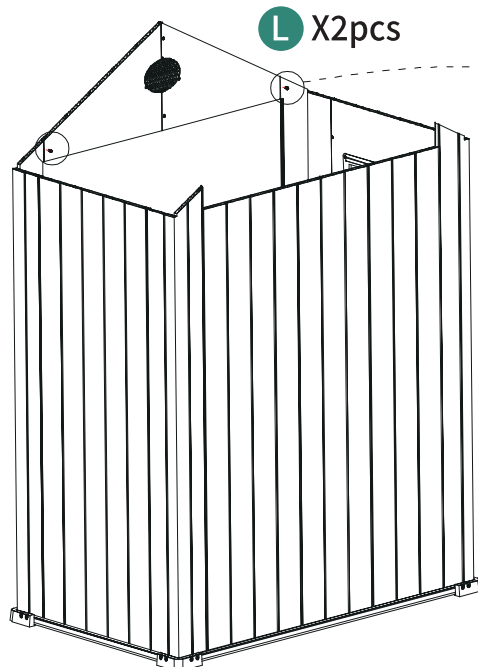


Screw fixing after fully fit.


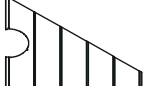
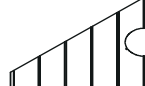



10

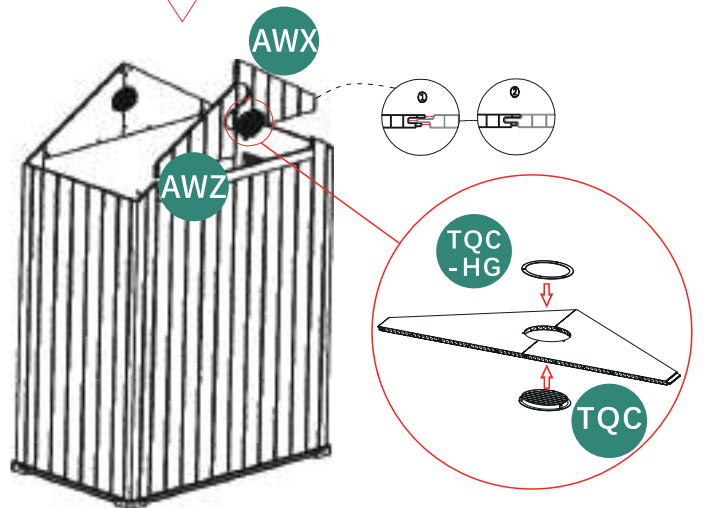
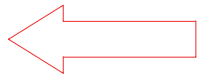
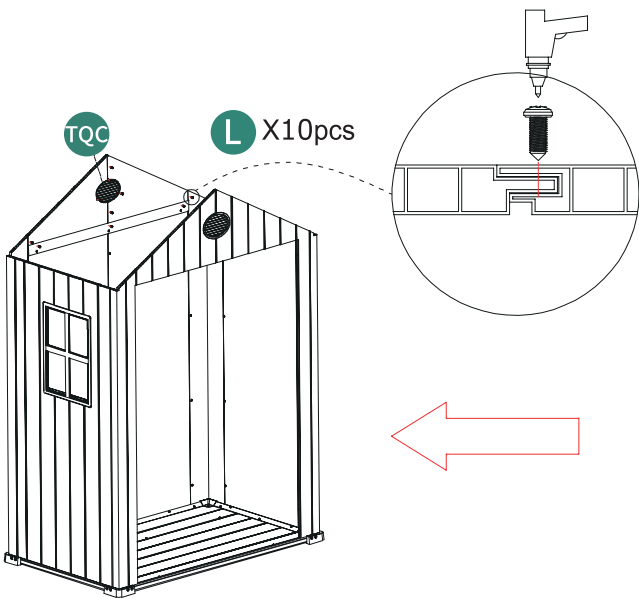
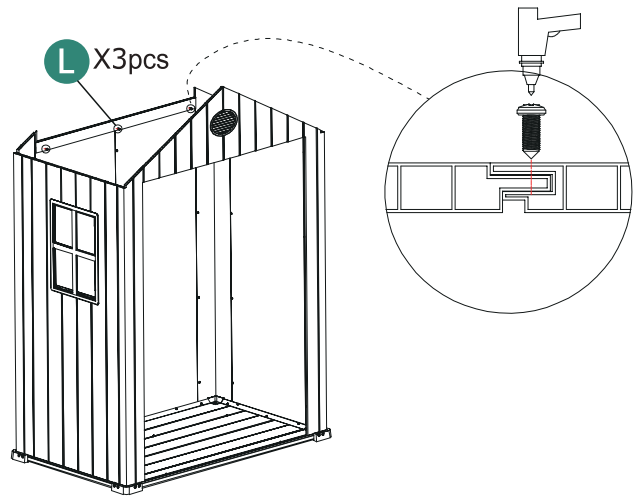
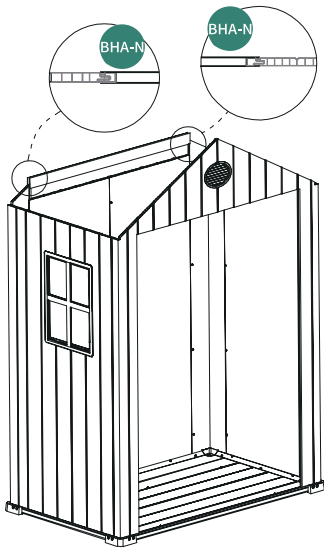
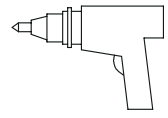


Fully fit to each other without any gap.



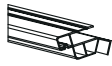
11

 **BHA-N** 1pc  **AWX** 1pc  **AWZ** 1pc  **TQC** 1pc  **TQC-HG** 1pc  **L** 13pcs



Fully fit to each other without any gap.

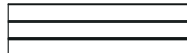
12



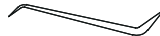
BAC-N 2pcs



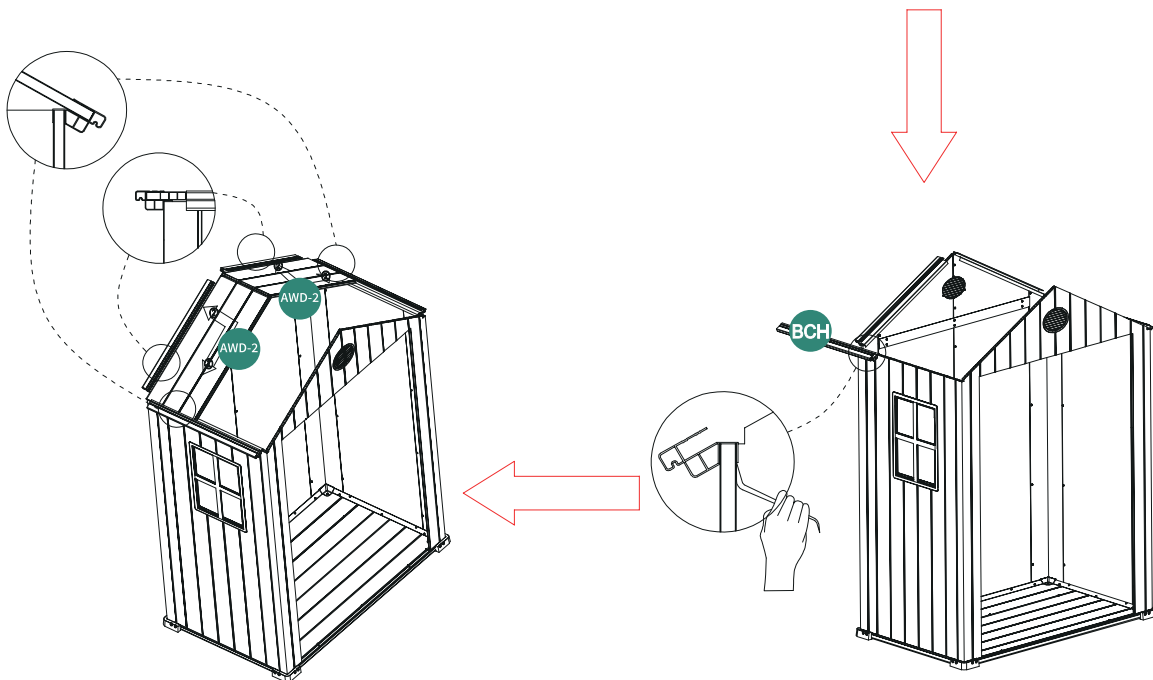
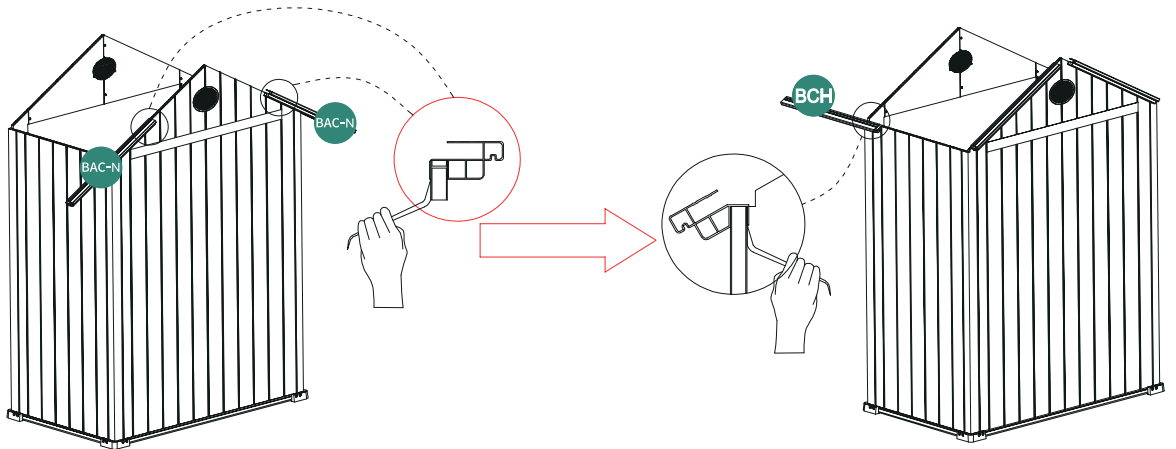
BAC-N 2pcs



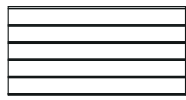
AWD-2 2pcs



N 2pcs



13



AWD-1 2pcs



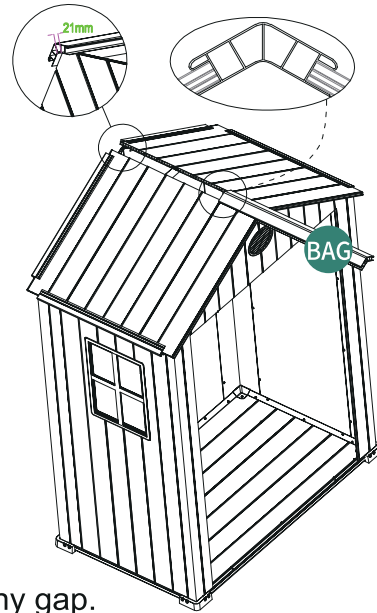
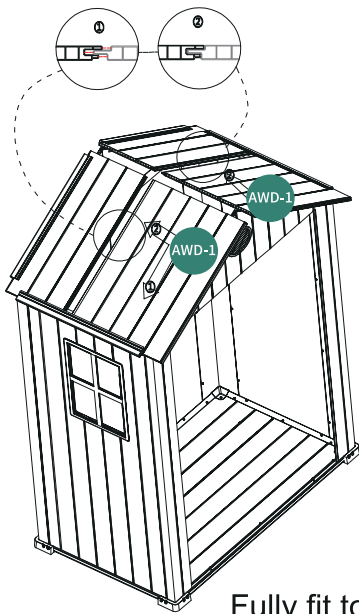
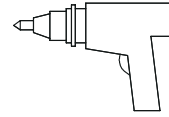
BAG 1pc



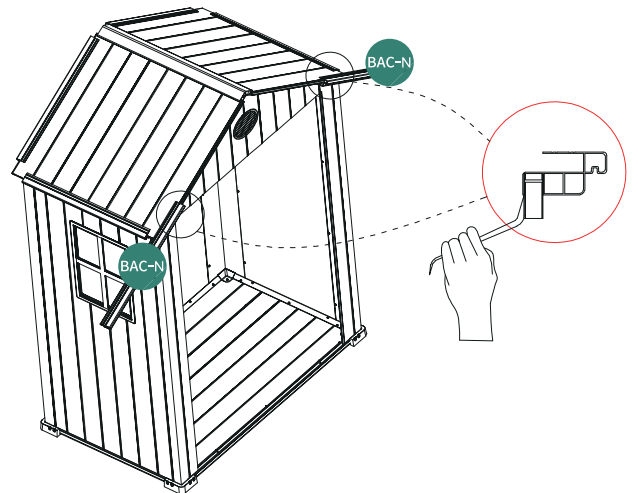
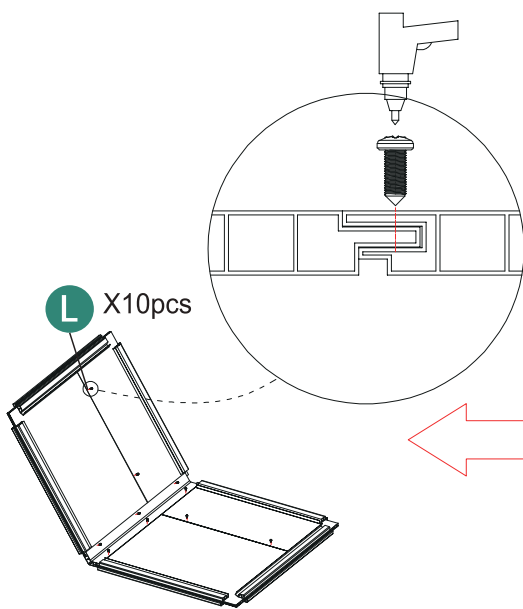
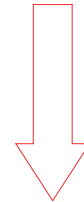
BAC-N 2pcs



L 10pcs



Fully fit to each other without any gap.



14



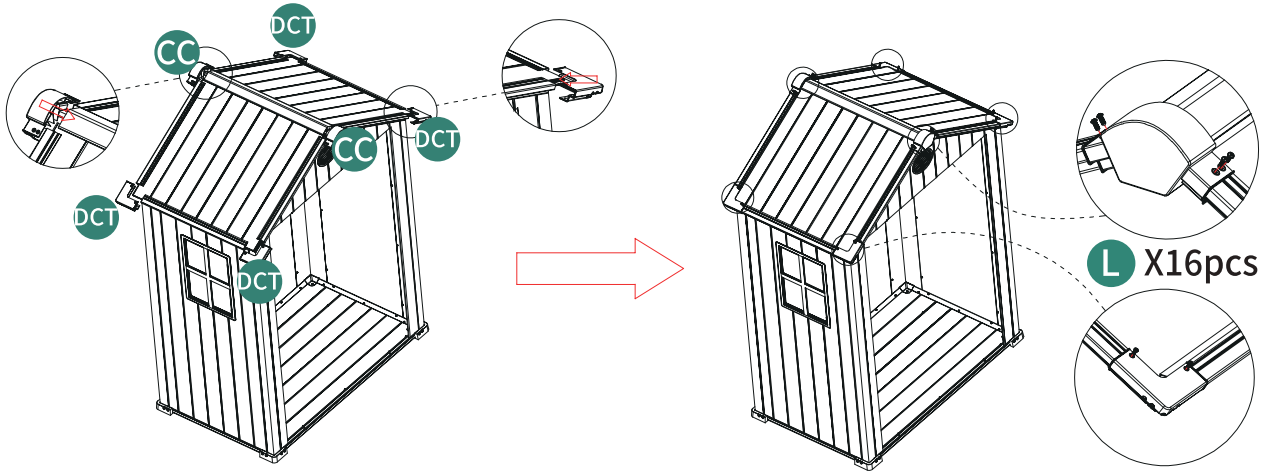
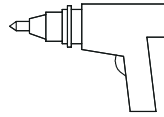
DCT 4pcs



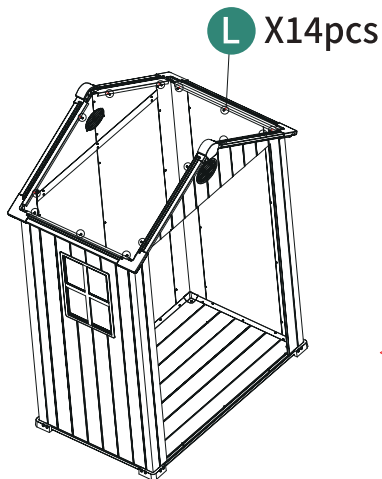
CC 2pcs



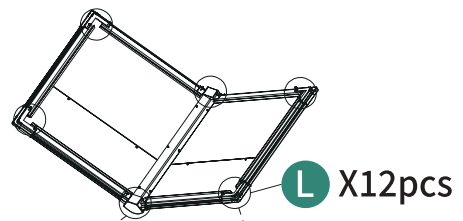
L 42pcs



L X16pcs

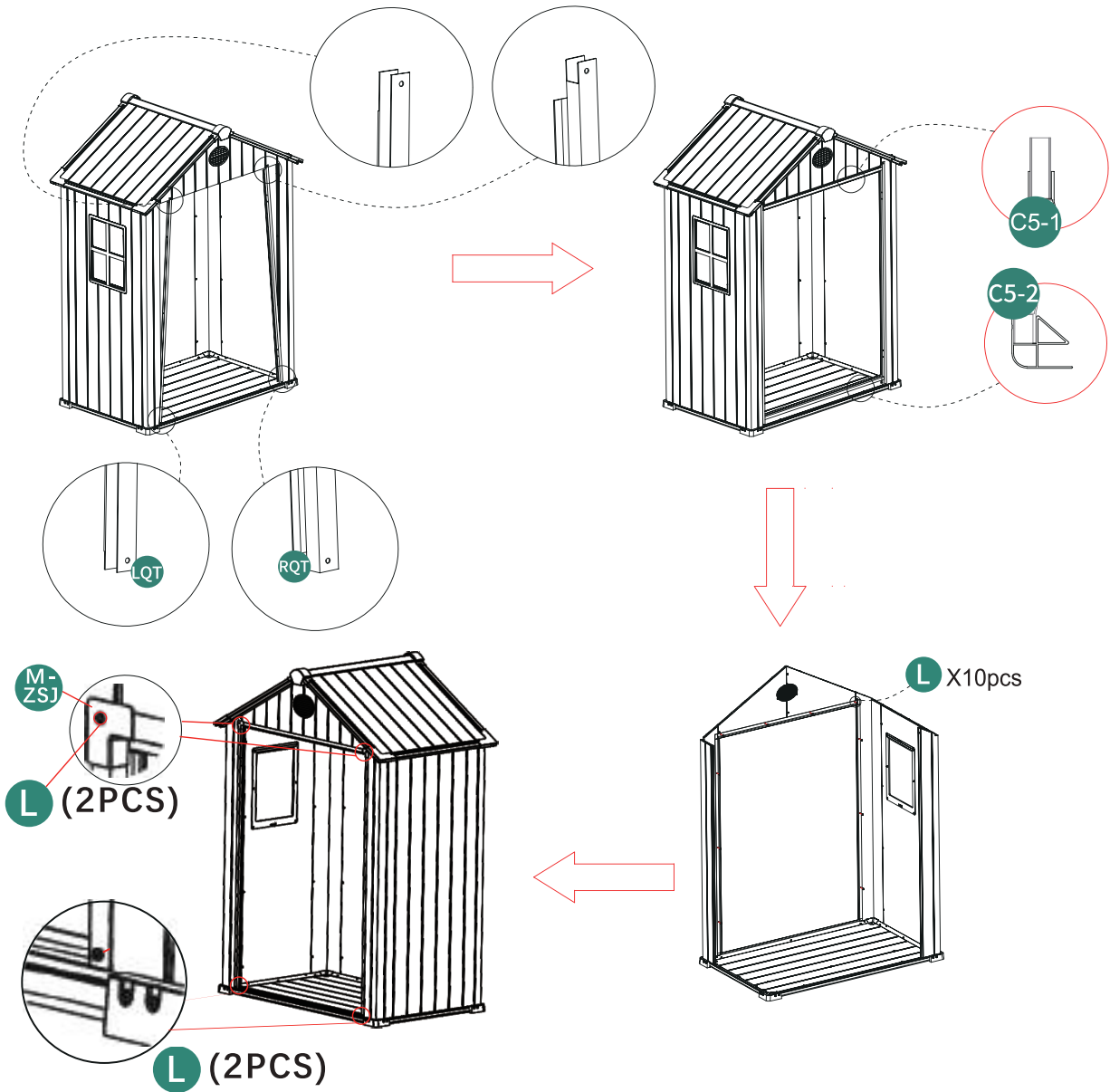
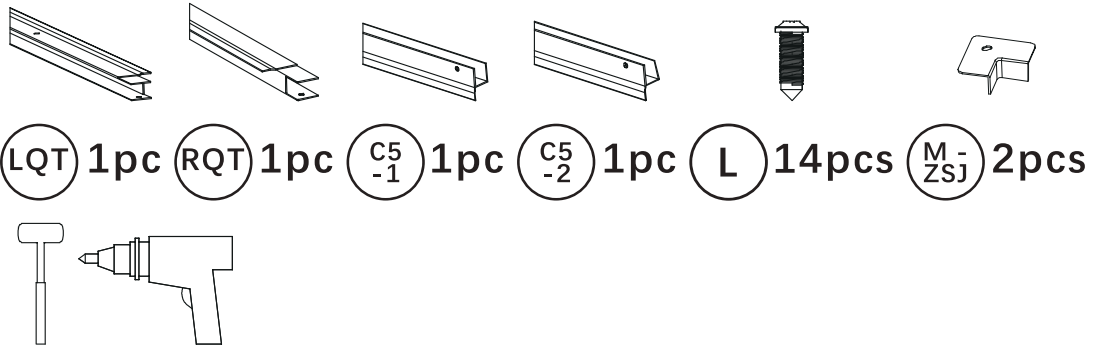


L X14pcs




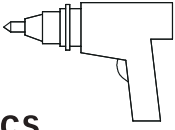


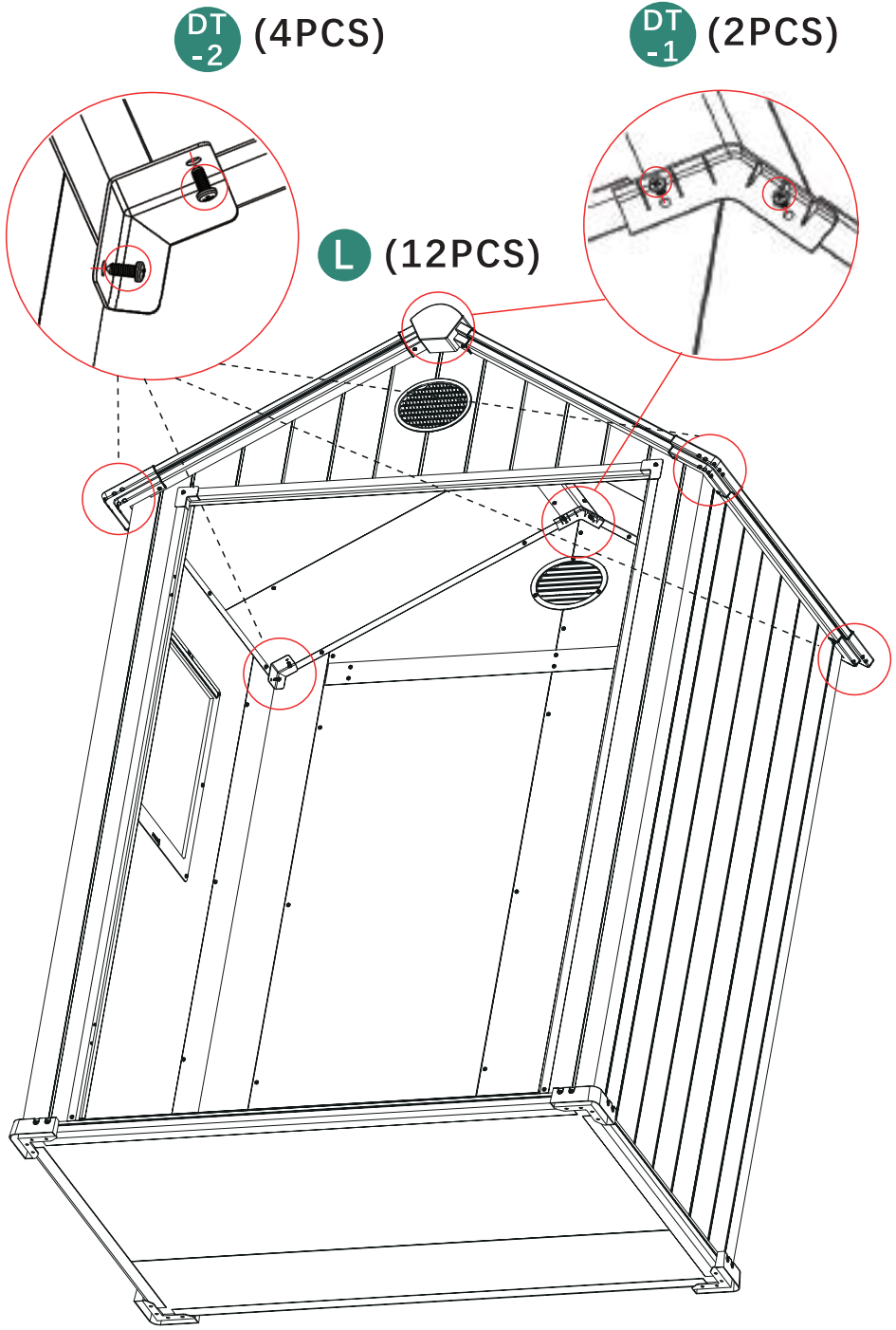
L X12pcs

15


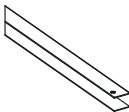







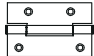
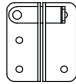

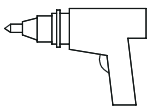



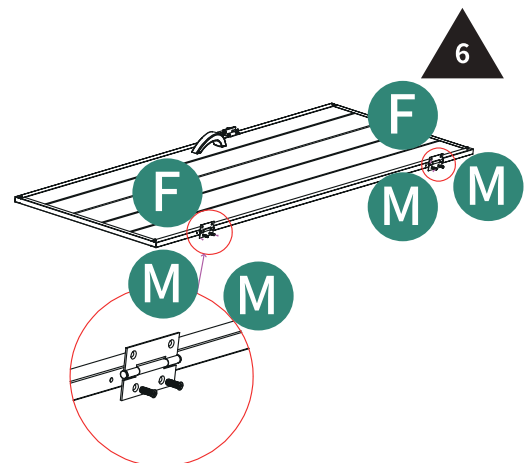
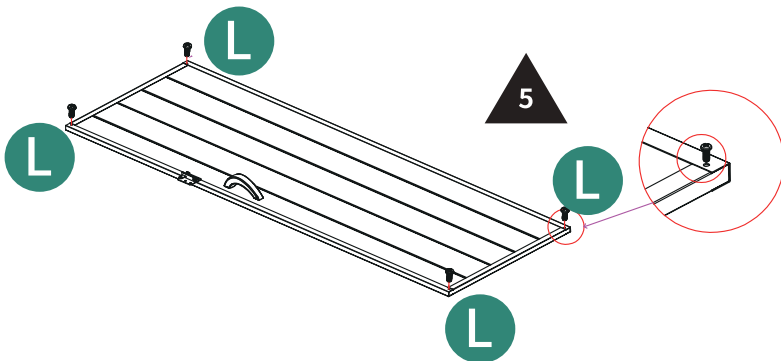
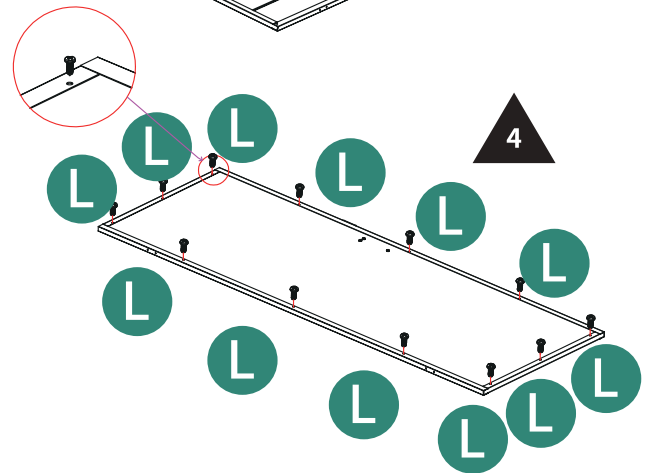
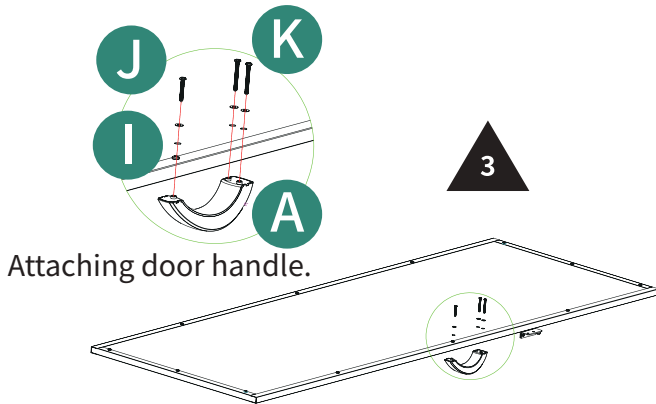
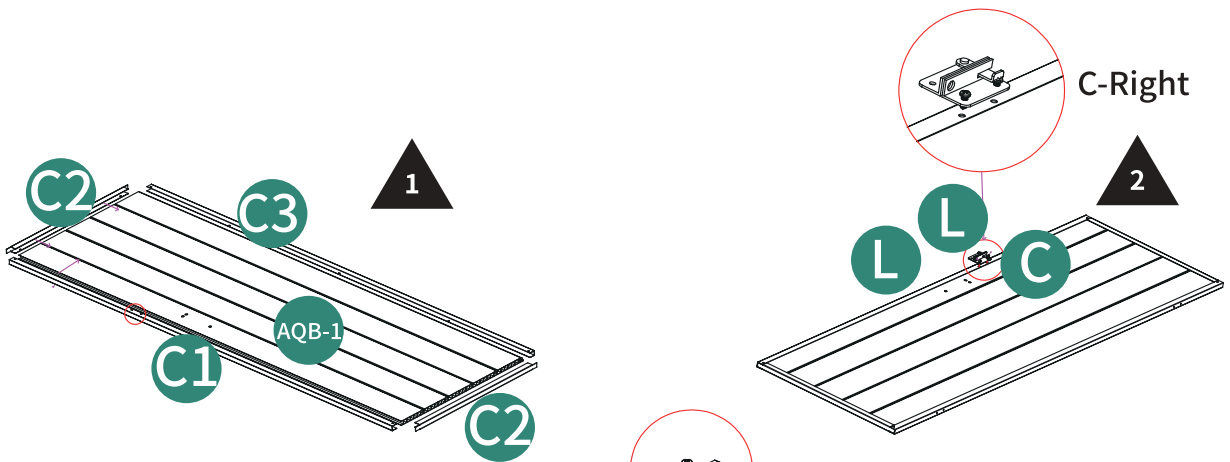
16

   
DT-1 2pcs DT-2 4pcs L 12pcs



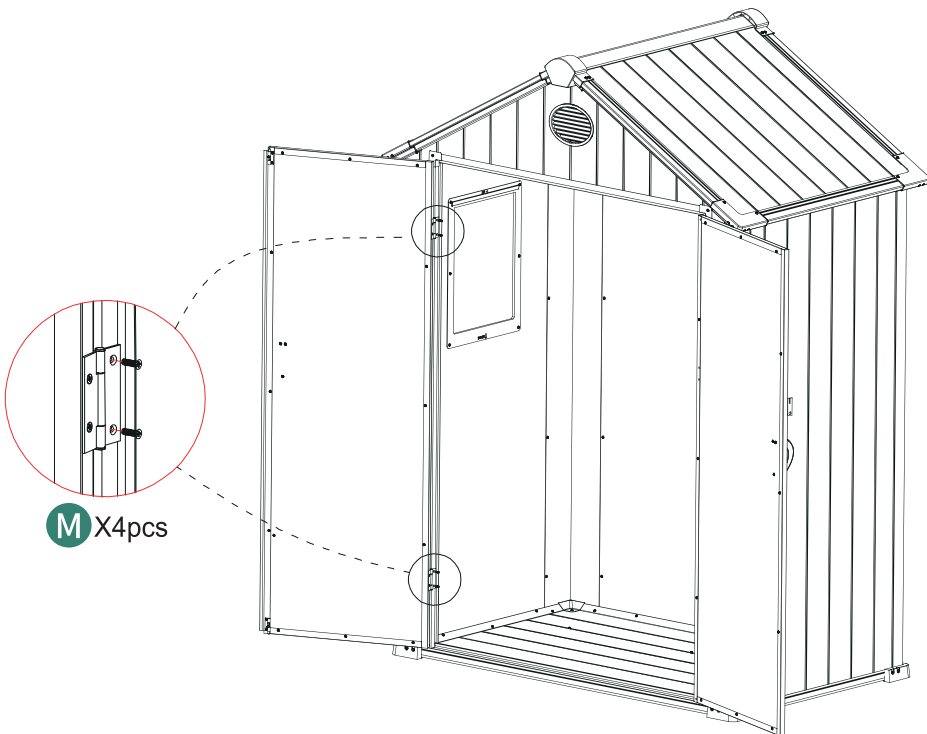
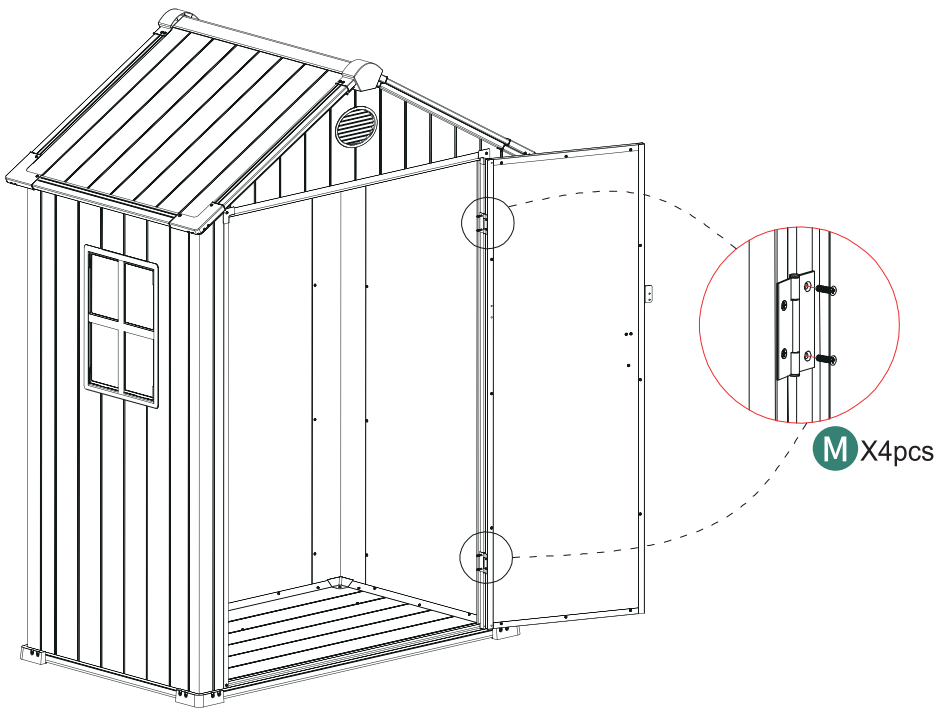
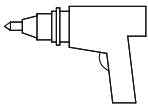
17

-  AQB-1 1pc
-  C1 1pc
-  C3 1pc
-  C2 2pcs
-  L 18pcs
-  J 1pc
-  K 2pcs
-  A 1pc
-  M 4pcs
-  F 2pcs
-  C 1pc
-  I 3pcs
- 
- 

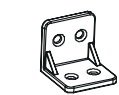


19


Ⓜ 8pcs



20



Ⓑ 8pcs



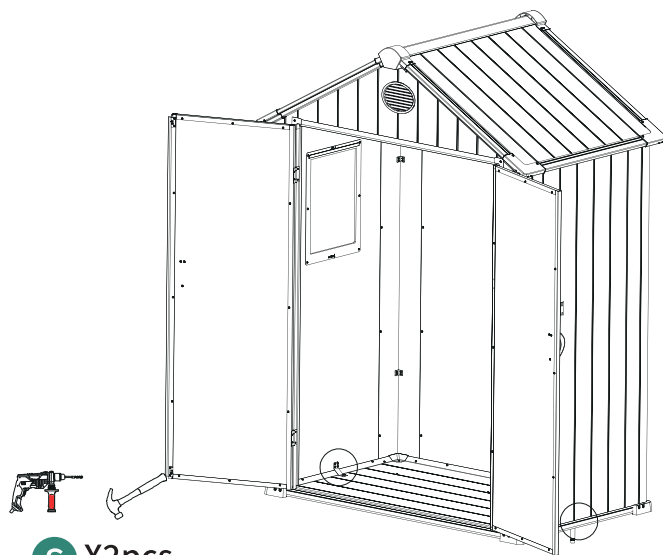
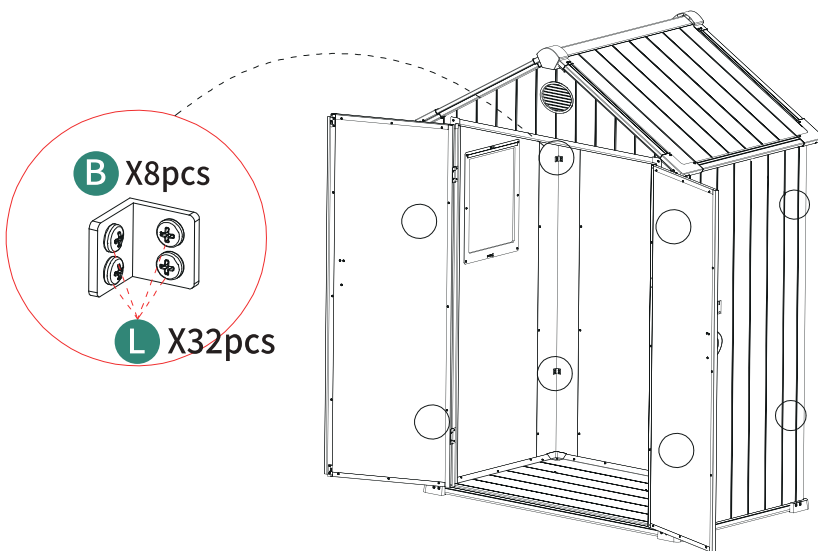
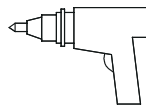
Ⓛ 40pcs



Ⓢ 2pcs

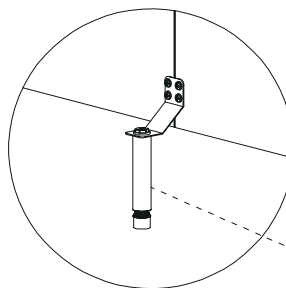
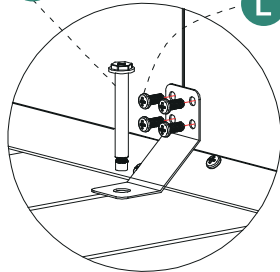


Ⓣ 2pcs



Ⓢ X2pcs

Ⓛ X8pcs



Ⓣ X2pcs

21

