

Product Specifications

Product data

Product name	MASSAGE CHAIR
Product model	
Rated voltage	110V-240V~
Rated frequency	50Hz
Rated power	120W
Rated working time	15min
Product safety design	CLASS I

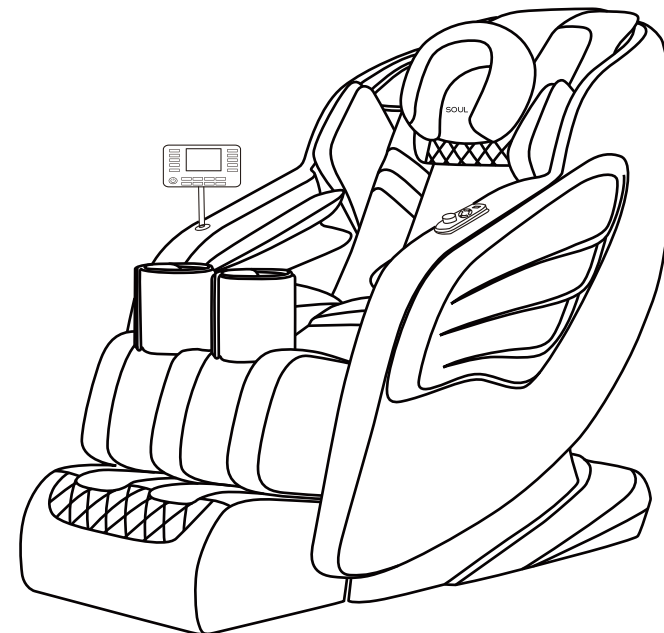
SOUL

Massage Chair

ASSEMBLY INSTRUCTION

ADULT ASSEMBLY REQUIRED

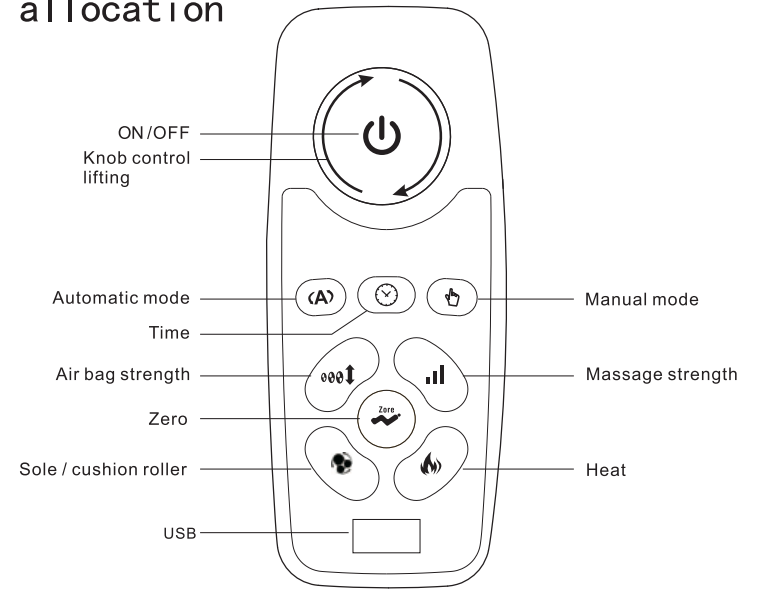
Read all instructions before assembly and use.
Due to the presence of small parts during assembly, keep
out of reach of children until assembly is complete.



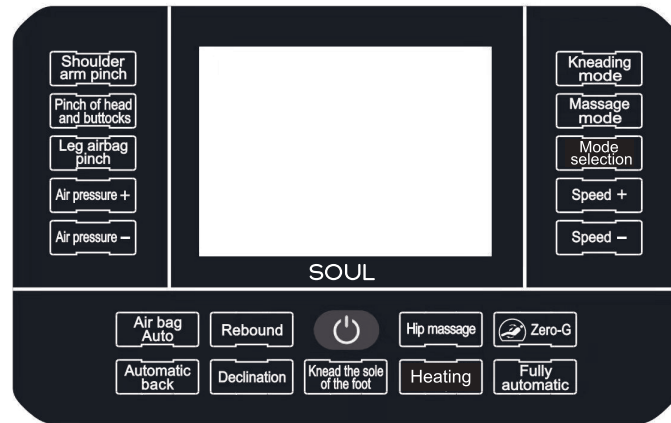
Thank you for choosing this product. Please read this manual in detail before you choose this product. Please pay attention to important security warnings, please keep this manual for reference.

The company retains the power to design changes and interpretation of the product. If there is any change to notice, the color of the product is subject to the actual product.

□ Top allocation



Controller function introduction



1. The boot key: The default is turned on to enter the automatic mode, press the start button to adjust to: 15 minutes, 20 minutes, 25 points Clock, 30 minutes, shutdown cycle operation.
2. Shoulder arm pinch: turn on / off shoulder, arm balloon massage function.
3. Pinch of head and buttocks : open / turn off the head and buttocks airbag massage.
4. Air pressure +: Open the button function of the airbag, press the "air pressure +" button, and the air pressure is increased. (turn off the airbag function, this button is invalid)
5. Air pressure -: Open the button of the airbag function, press the "air pressure -" button, and the gas pressure is reduced. (turn off the airbag function, this button is invalid)
6. Air bag Auto: turn on / off all airbag massages.
7. Kneading mode : open / close the back kneading massage.
8. Massage mode : turn on / close the waist kneading massage.
9. Mode selection: Turn on / off, reverse massage. (Open kneading, massage mode, default last one Turn on the open mode, reverse)
10. Speed +: Open kneading, massage mode, press "Speed +" button, massage efforts to increase.
11. Speed -: On the pinch, in the massage mode, press "Speed -" button, the massage is reduced.
12. Automatic back On / turn off the back automatic mode. (At the same time open / close kneading and massage mode)
13. Hip massage: open / turn off the hip massage.
14. Knead the sole of the foot : turn on / off the foot kneading massage function. (According to this button, it can be recycled and high, medium, Low gear)
15. Heating: turn on / close the constant temperature hot compress function.
16. Zero gravity: turn on / off zero gravity function.
17. Rebound : press the button and hold it to make the backrest up.
18. Declination: press the button and hold it to make the backrest down.
19. Fully automatic: Relax / Joyful / Stretching / Powerful / Sleep

Safety Precautions

- Please read this [Safety Precaution] before use, and use this product correctly.
- The precautions of this section suggest safety and correctly use the product to prevent the product, so that the use of people and others may cause dangerous or damage.
- This precautions, depending on the size and severity of damage or damage, depending on the improper operation [Warning] The two tips of [Note] are distinguished. Content related security, is crucial, please be sure to follow.

	This identifier is to tell the warning or attention. (The left picture generally adds a warning or paying after using it)
	This identity is to inform the prohibited content, and the figure is a description of the specific prohibition content. (The left picture is forbidden to disassemble).
	This identity is to inform for forced or must

- Please be sure to save where you can see at any time.



Warning



Smoking, an abnormal sound (abnormal state) Please disconnect the power immediately. After confirming the secure, please contact the bubbleler for repair. It is strictly forbidden to repair it. Internal water in the host.



NOTE



obligated to follow

- During use, if you feel that your body is abnormal, you should stop using it immediately, and consult your doctor. This product should be placed on a flat ground to avoid injury accidents.
- Before using this product, please confirm whether the power switch is working properly to avoid injury.



Warning

 Prohibited	<p>In order to avoid adverse conditions, please use the doctor after consultation. The following people cannot use: Thrombosis (blood disease, severe aneurysm, acute venom), various skin diseases or skin infections (including subcutaneous tissue inflammation). The following people should consult a doctor before using the massage</p> <ul style="list-style-type: none"> ● chair: In vivo, there is an implantable medical device. ● Malignant tumor patients. ● Heart disease patient. ● Female in pregnancy or physiological cycle. ● Patients with diabetes and peripheral circulatory disorders. ● Perceptual disorder. ● The massage site has a wounded. ● The body temperature exceeds 38 ° C fever. For example: acute inflammation (typhoid, high blood pressure). ● Duration and physical weaknesses. ● Muscle sprain, muscle inflammatory patient. <p>In addition, the physical fitness, feeling uncomfortable or needs a quiet person, please use it with caution.</p>
	<p>This product massage program is a cycle of 15 minutes, avoid continuous massage in the same part. If you need to continue, please have more than 30 minutes to avoid excessive stimulation of muscle or nervous</p>

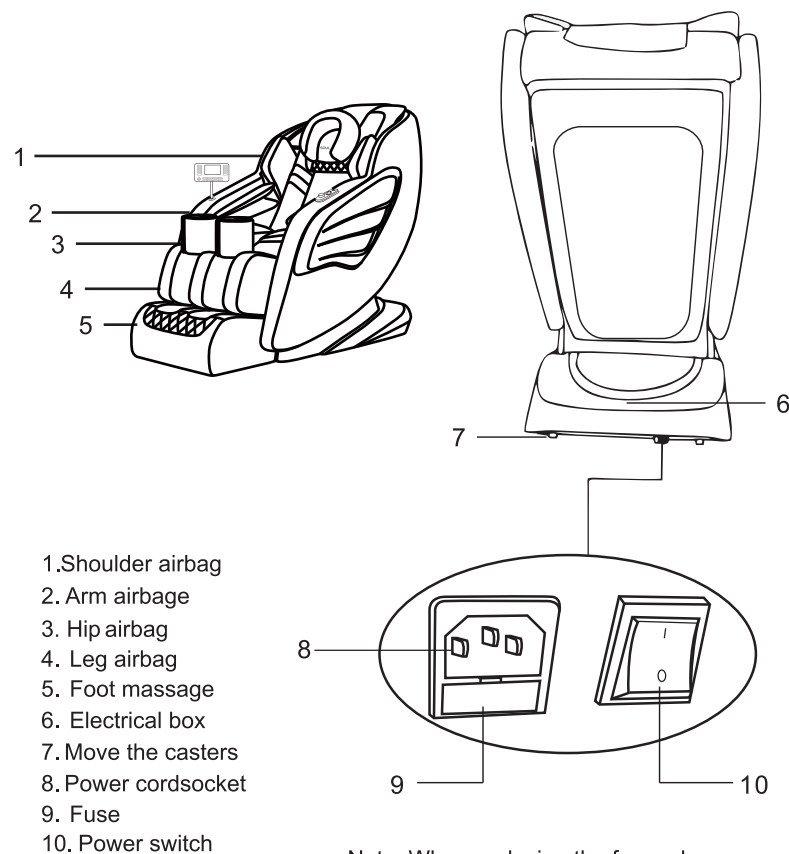


Warning

 Do not use damp	<p>In the case of moisture, do not use it, so as not to occur in an electric shock or machine failure.</p> <p>This product can not be soaked in water or other liquids, and cannot be placed in a humid environment such as a bathroom, so as to avoid electric shock or machine failure.</p>
 Must abide by the	<p>Operation while confirming that there is no child or pet.</p>
 No unauthorized repair	<p>It is absolutely prohibited from disassembling or repairing the products and power cords, hand controllers and other components to avoid single-printing, fire accidents, or machine failures. When the power cord is damaged, it is prohibited from removing the replacement from self-contained, and must be repaired or replaced by the manufacturer or qualified professionals.</p>
 Prohibited	<p>It is not possible to use a damaged power cord. Can not be forced to bend, pull, twice, wound or operate the power cord, can not hang the heavy object on the power cord. With damaged power cords, electric shock, short circuits or fire accidents may occur.</p>

Part name and function

Main part name

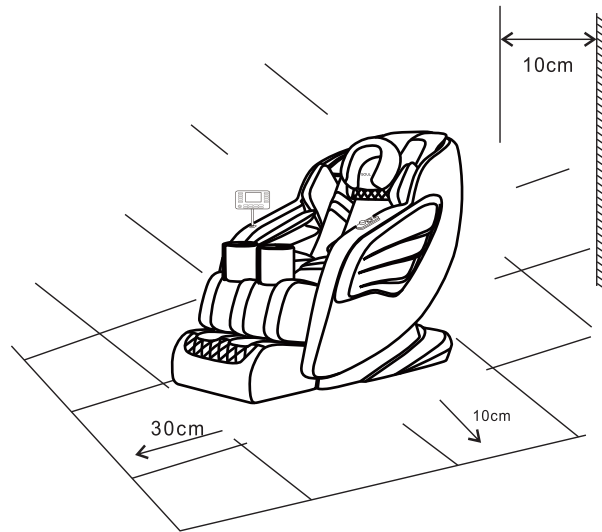


Note: When replacing the fuse, please remove the fuse box with the starting circle

Massage chair installation

Place a massage chair

When placing a massage chair, be sure to leave enough space around the chair to make the legs and backrests of the chair can rise and fall. The suggestion of the right picture is placed in space.



Before use note

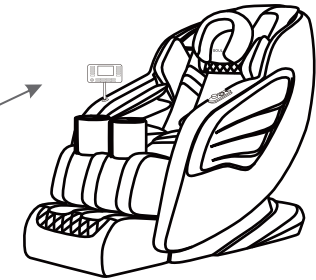
Before use

Install the hand controller

1

Take the hand controller bracket, plug the threaded end

Enter the installation base hole of the left armrest, and tighten, then place the hand control on the bracket



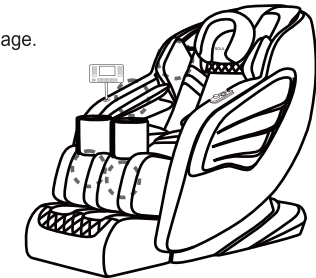
2

Make sure there is no foreign body between the native gap

Please confirm the calf, foot and other positions before massage.

! note

- Don't reach your hands, fingers, feet, and head into your calf with the seat, the gap of the armrest. Before you enter your seat, please confirm that there is no foreign matter between the parts of the unit. Do not go deep into the back cover in the back cover. Do not place your pet on the massage chair (seat, backrest, handrail, leg).



Insert the power plug into the power outlet

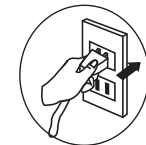
3

Turn on the power

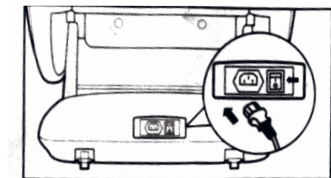
Before the massage, please confirm the leg, the foot and other locations are not clamped.

! warning

- Check if the power cord and the power plug is damaged before use. Before you enter your seat, please confirm that there is no foreign matter between the parts of the unit. Be sure to plug the power plug into the end.
- Otherwise, electric shock or overheating may cause fire.
- Use 110V ~ to alternate current.



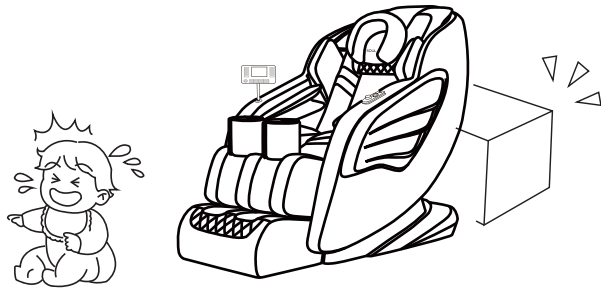
Press the power switch below the power switch to the "I" (on) position.



Before use

4 Surround

Make sure no one, pets and other objects around this unit



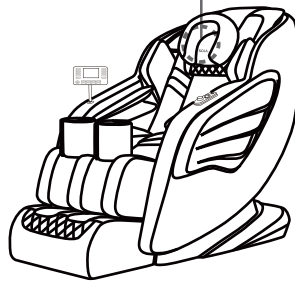
5 Confirm that the fabric is not damaged in cracks

Key inspection area: Back to cover the fabric on the range of massage wheel.

note

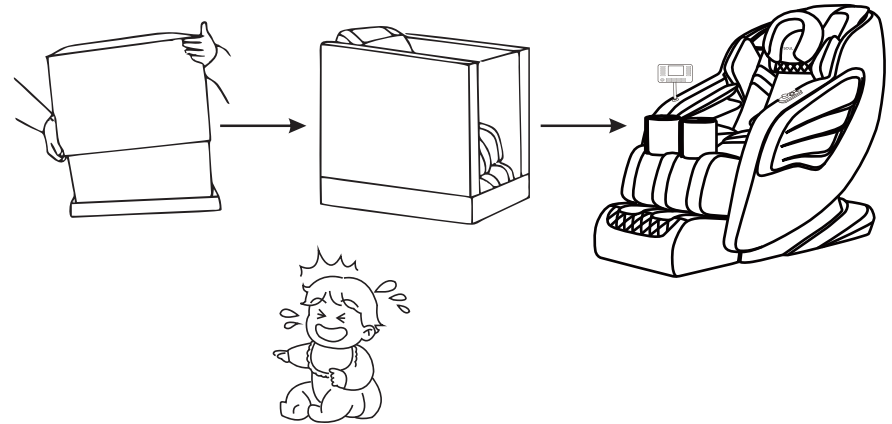
- Before using the unit, you must first open the cushion, check whether the key area fabric of the illustration is broken. Other parts should also confirm if the fabric is damaged. (Regardless of how small damage, please stop using it, unplug the power plug, and send this unit. Using this unit in the case of fabric damage, it may cause damage or electric shock.

Key check area



Massage chair unplug

The outer box is lifted up, take off the fixed column, take the instructions power cord and other parts.



Move massage chair

As shown in the right, the chair is inclined by 45o, and the atrium is carefully pushed forward until the appropriate position is removed.

note!

- * When someone is lying on a massage chair, take a work massage chair.
- * When moving the massage chair, the floor may be damaged, it is recommended to lay the mat and so on the product.
- * In order to avoid falling, please hold the massage chair in the movement when moving.

