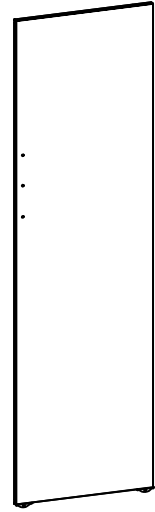
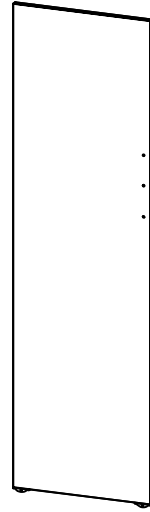
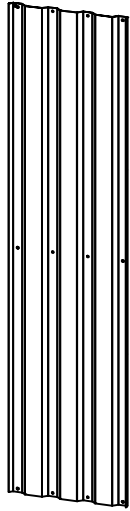


H1850mm*W1950mm*D1230mm

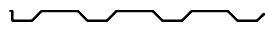
| | | | |
|--------------|---|--------------|-----|
| A | 6 | A-Q | 2 |
| B | 5 | A-R-R | 2 |
| C | 2 | A-R-L | 2 |
| A-D-R | 1 | A-S | 2 |
| A-D-L | 1 | A-T | 1 |
| E | 6 | A-U | 2 |
| F | 4 | A-V | 1 |
| A-G | 4 | W | 2 |
| A-H | 2 | X | 2 |
| A-I | 1 | Y | 2 |
| A-J | 1 | Z | 6 |
| A-K | 2 | a | 2 |
| A-L | 2 | b | 372 |
| A-M | 2 | c | 8 |
| A-N | 1 | d | 1 |
| A-O | 1 | e | 90 |
| A-P | 1 | | |



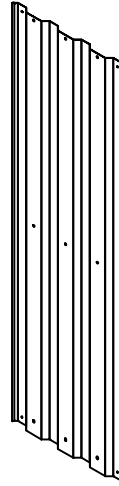
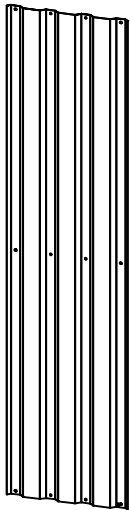
Left Door

Right Door

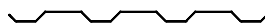
A 6PCS



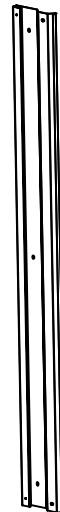
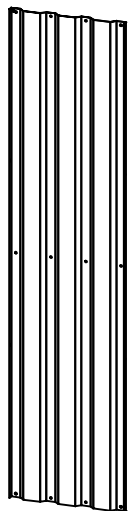
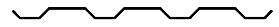
D 2PCS



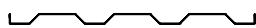
B 5PCS



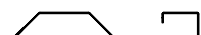
E 6PCS

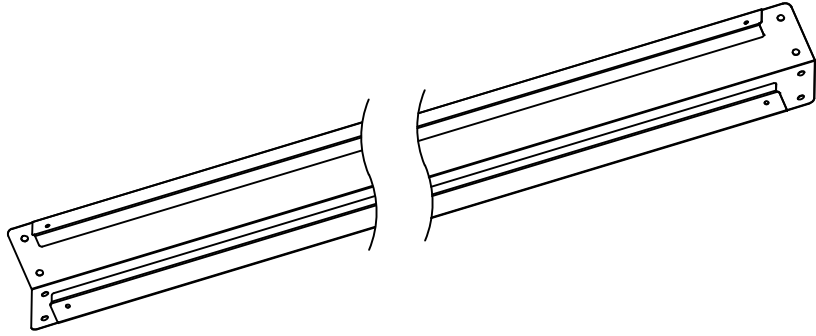
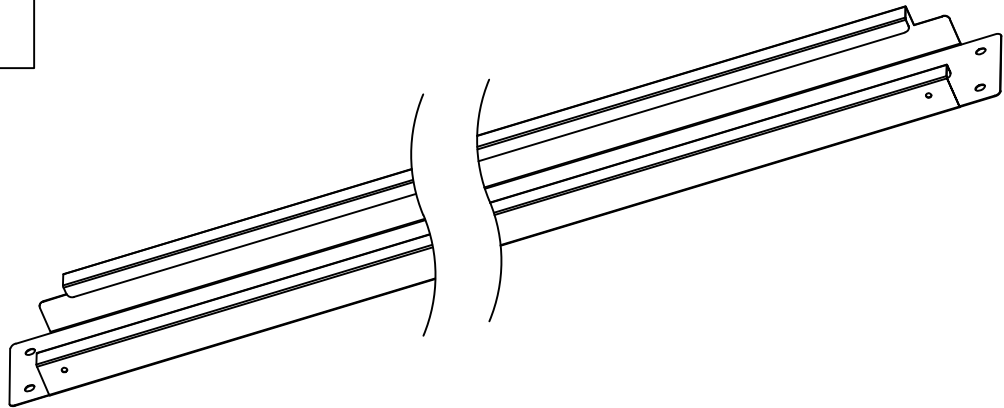
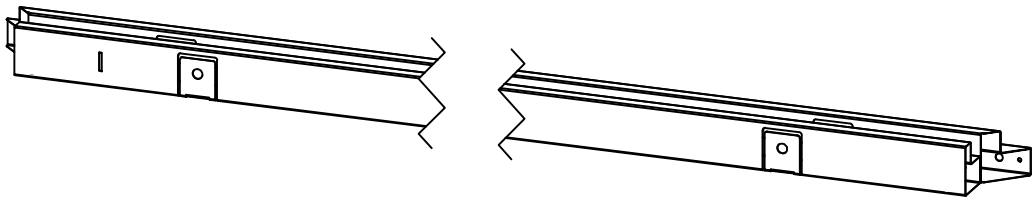
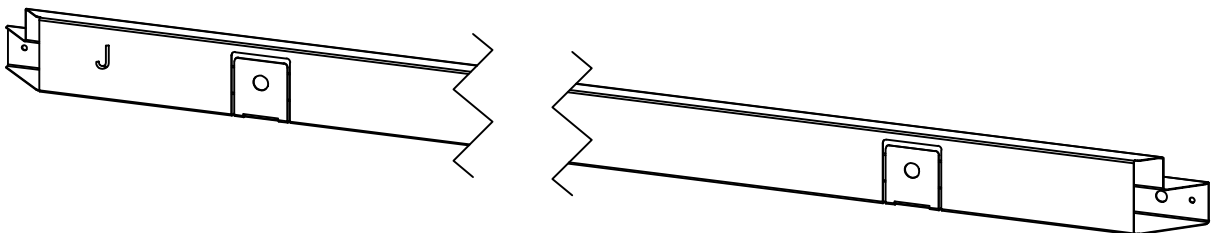


C 2PCS



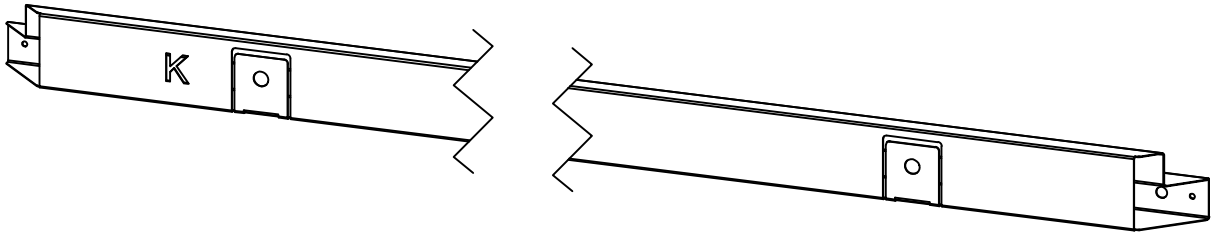
F 4PCS



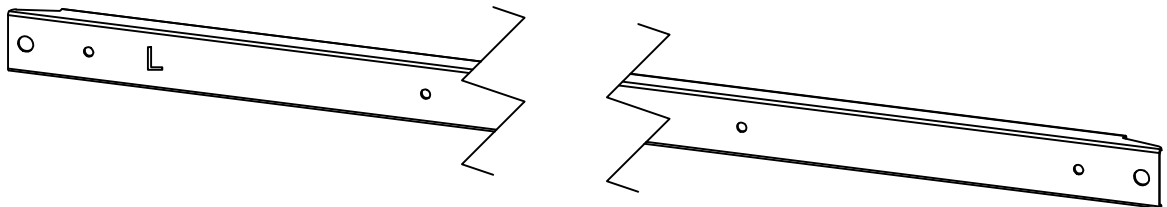
G**4PCS****H****2PCS****I****1PC****J****1PC**

K

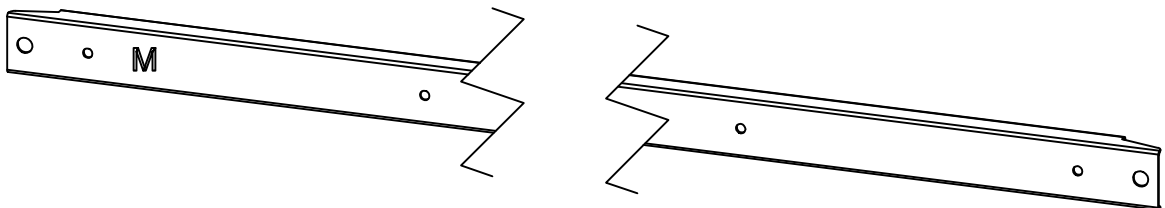
2PCS

**L**

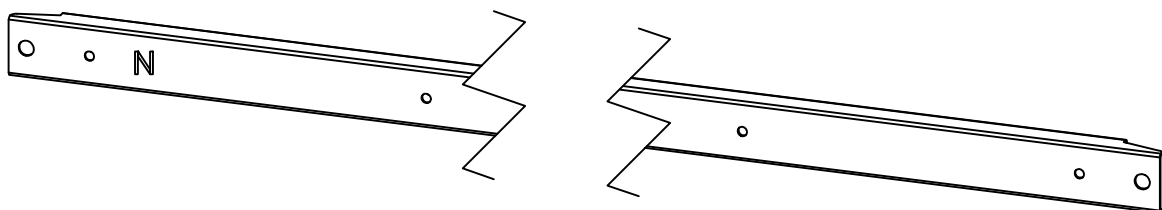
2PCS

**M**

2PCS

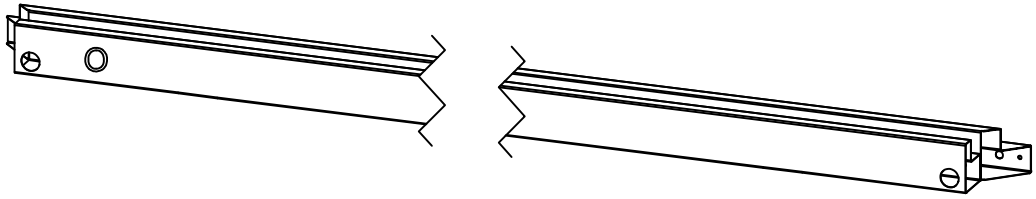
**N**

1PC



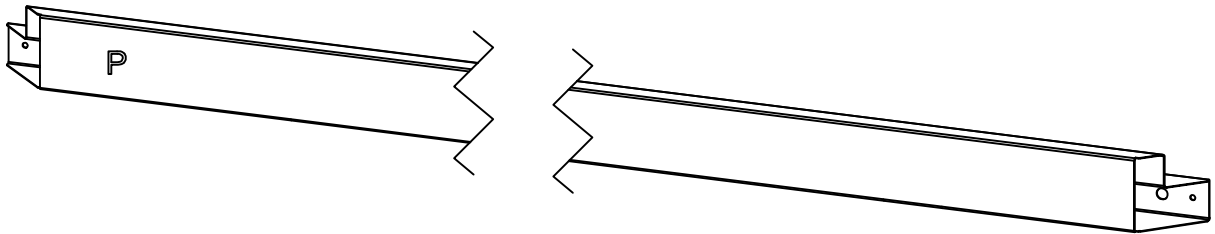
O

1PC



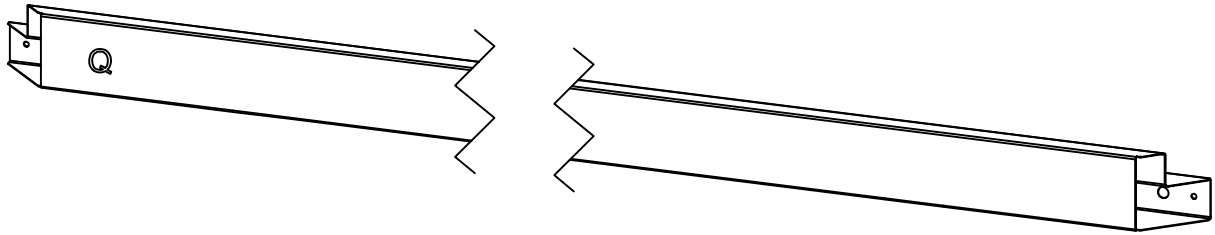
P

1PC



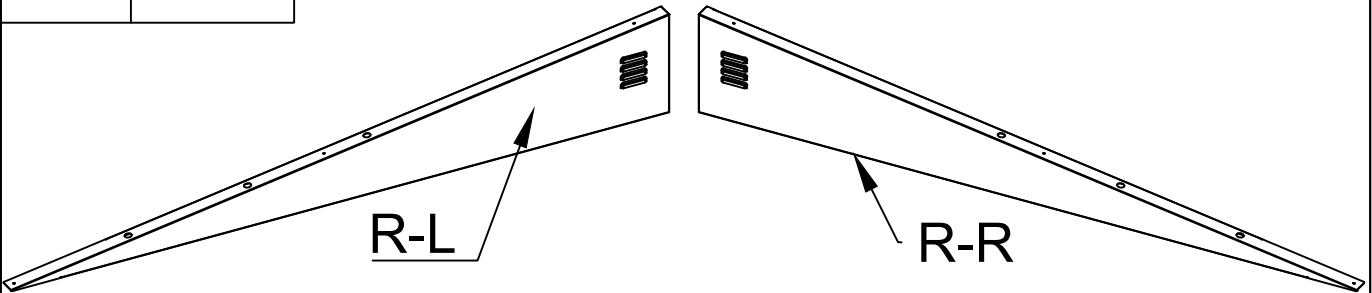
Q

2PCS



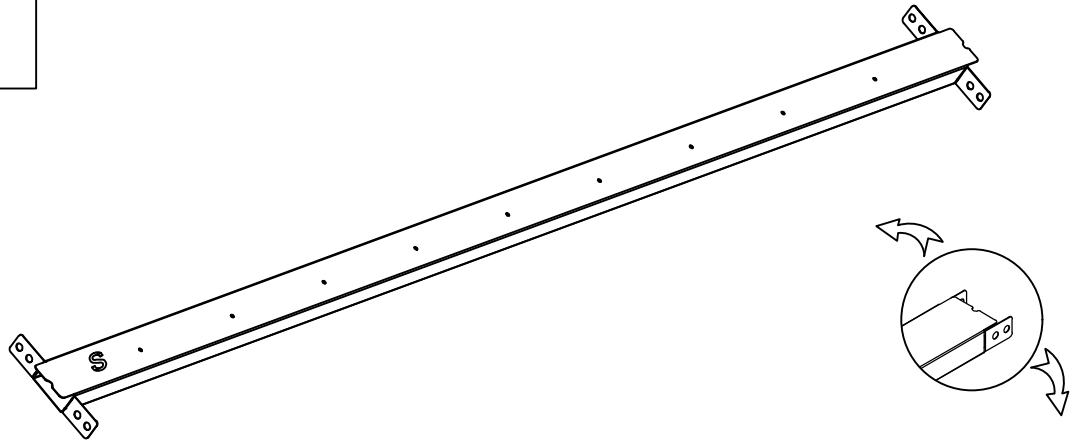
R

4PCS

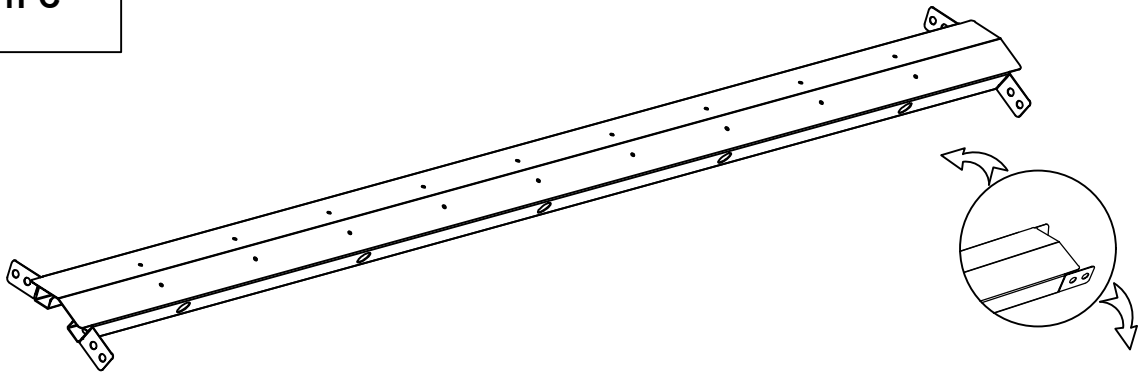


S

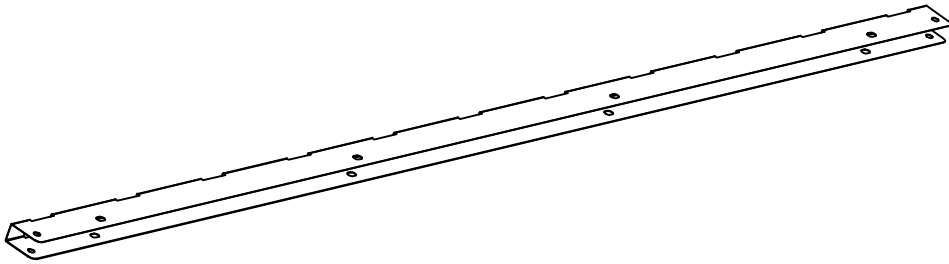
2PCS

**T**

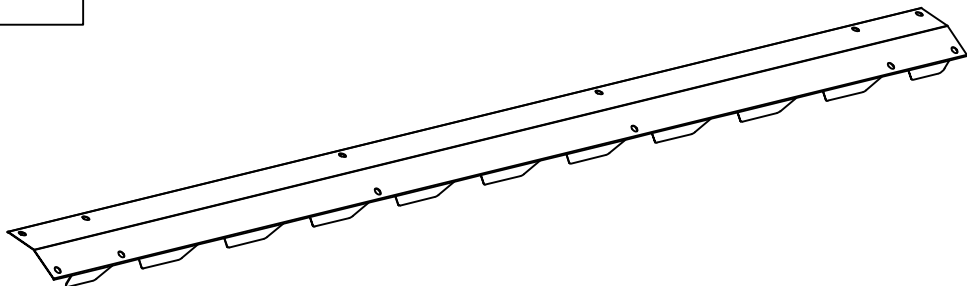
1PC

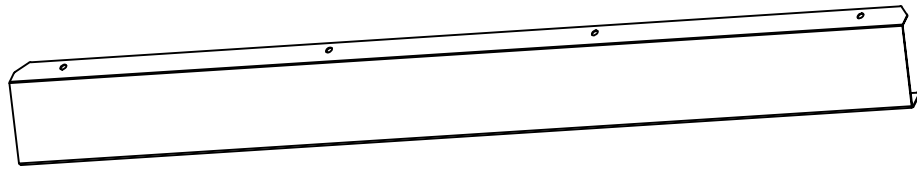
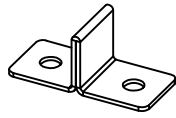
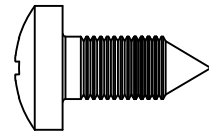
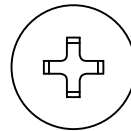
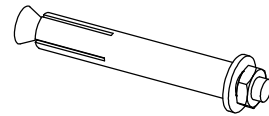
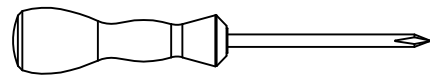
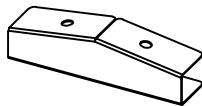
**U**

2PCS

**V**

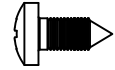
1PC



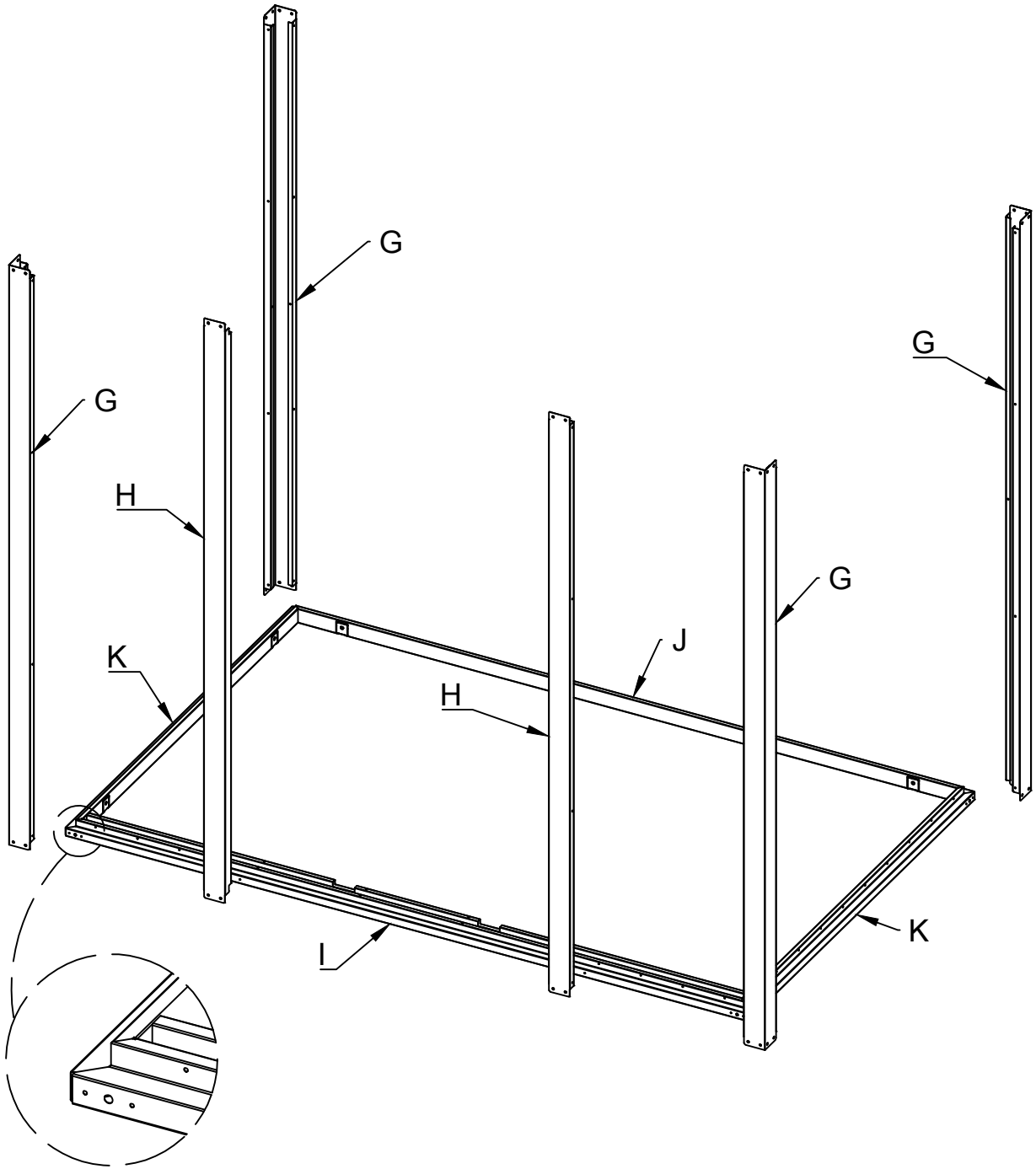
W**2PCS****X****2PCS****b****372PCS****5*10****Y****2PCS****c****8PCS****Z****6PCS****6*12****d****1PC****a****2PCS****e****90PCS**

Step 1

b



20PCS

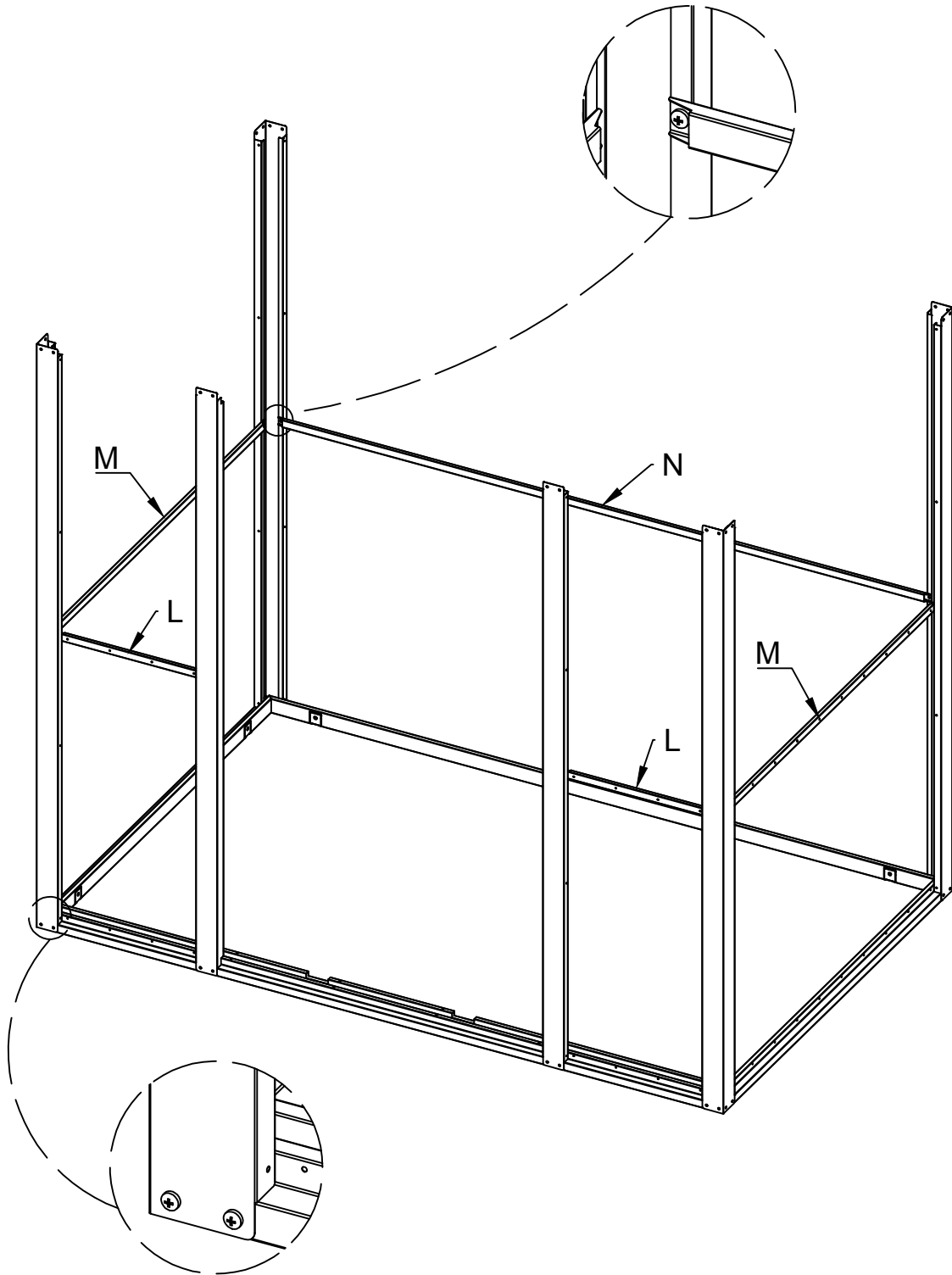


Step 2

b



10PCS

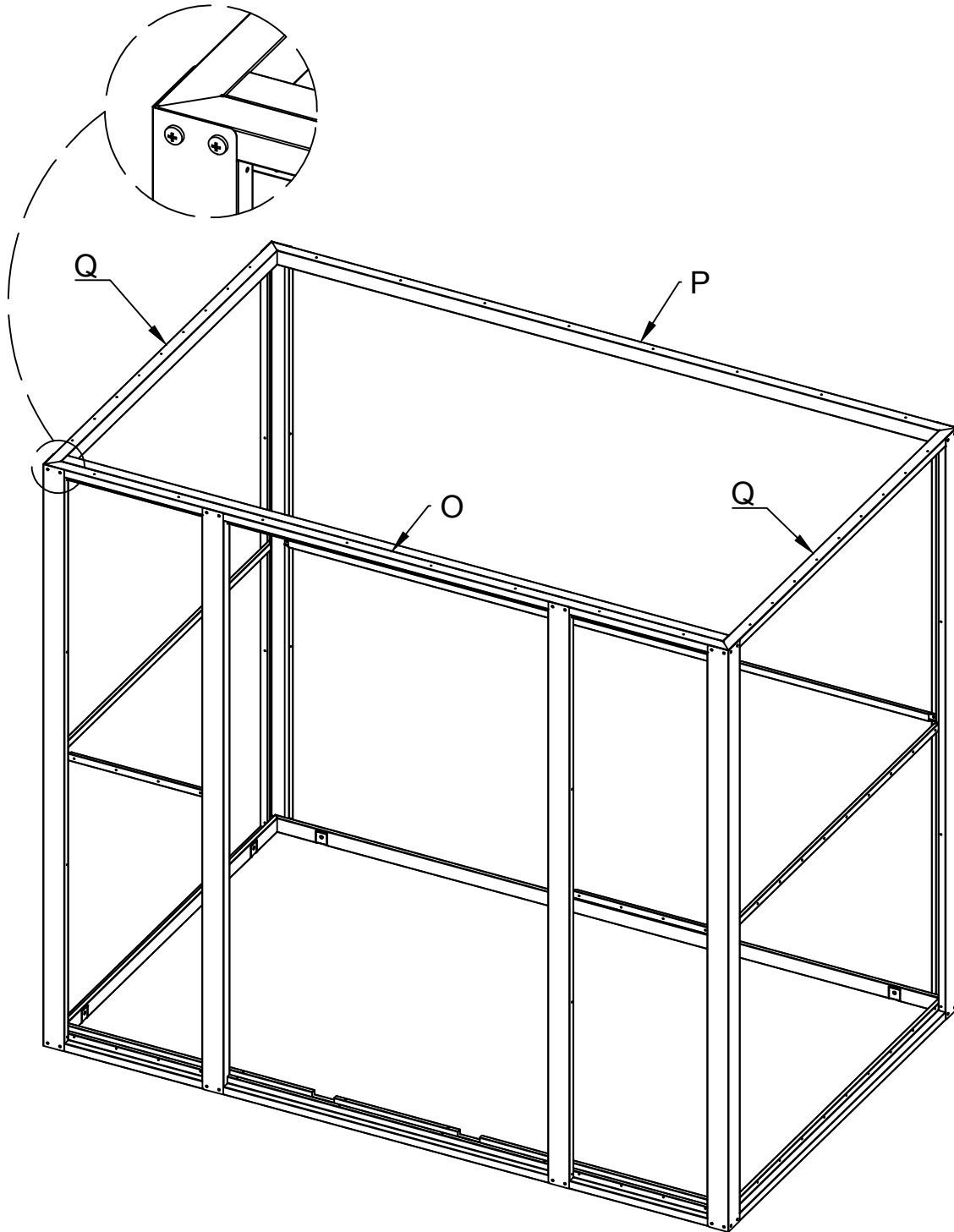


Step 3

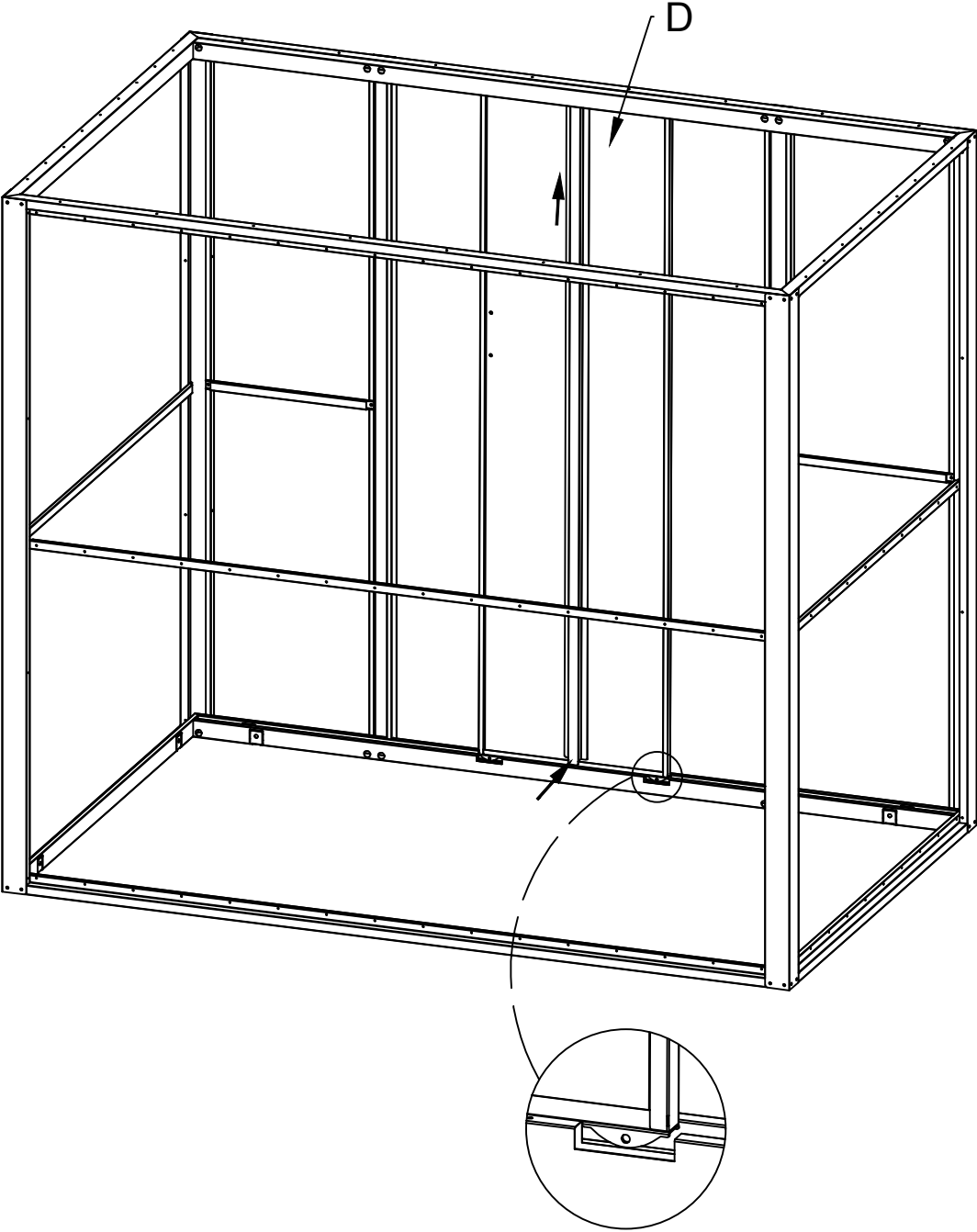
b




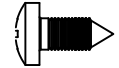



20PCS

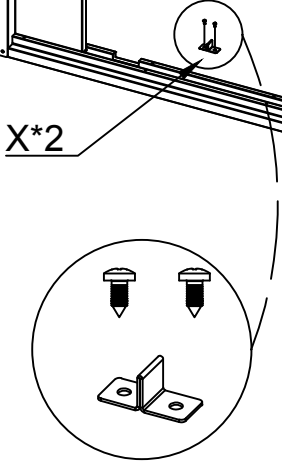
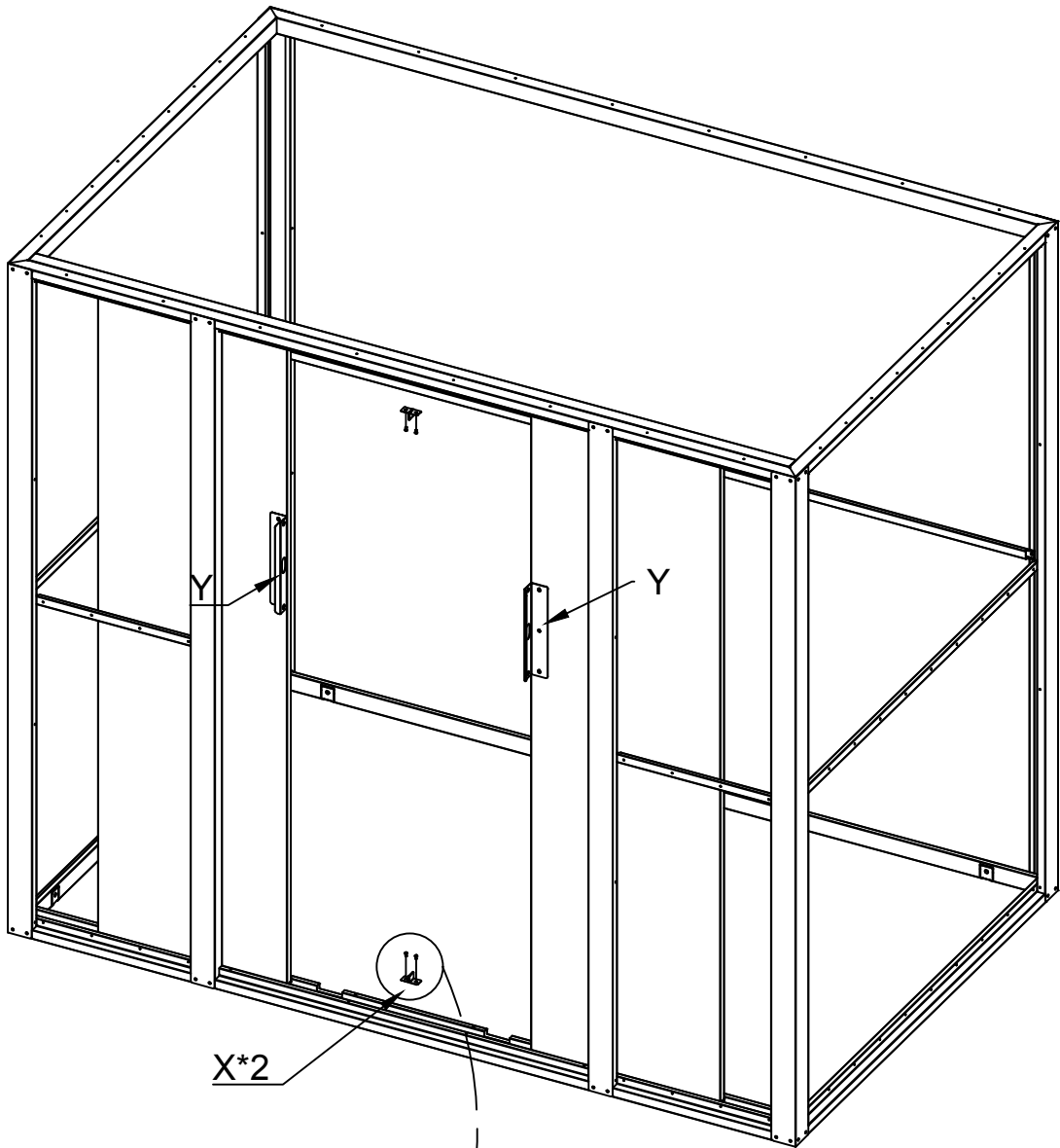


Step 4



Step 5

| | | | |
|----------|---|---|------|
| b |  |  | 4PCS |
| Z |  |   | 6PCS |

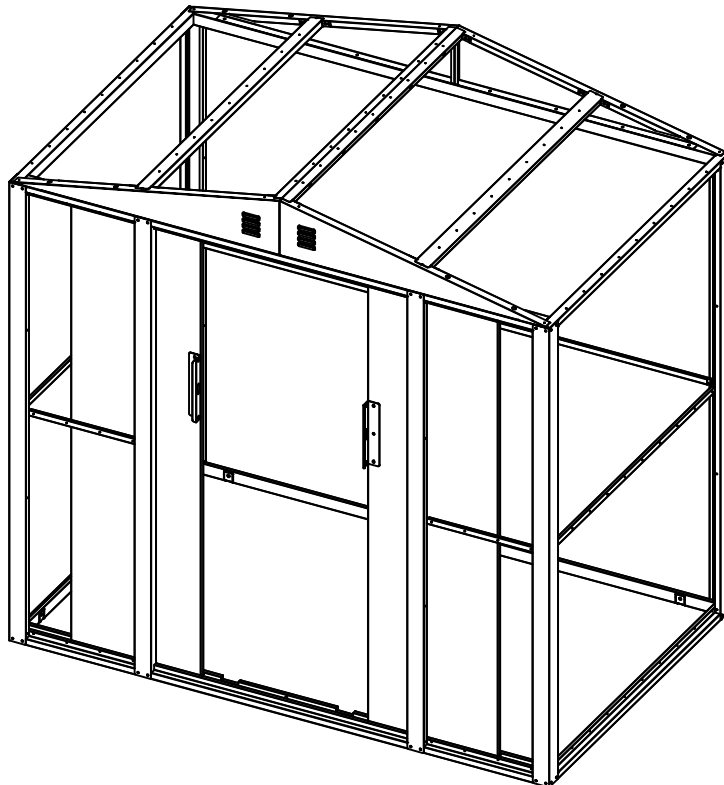
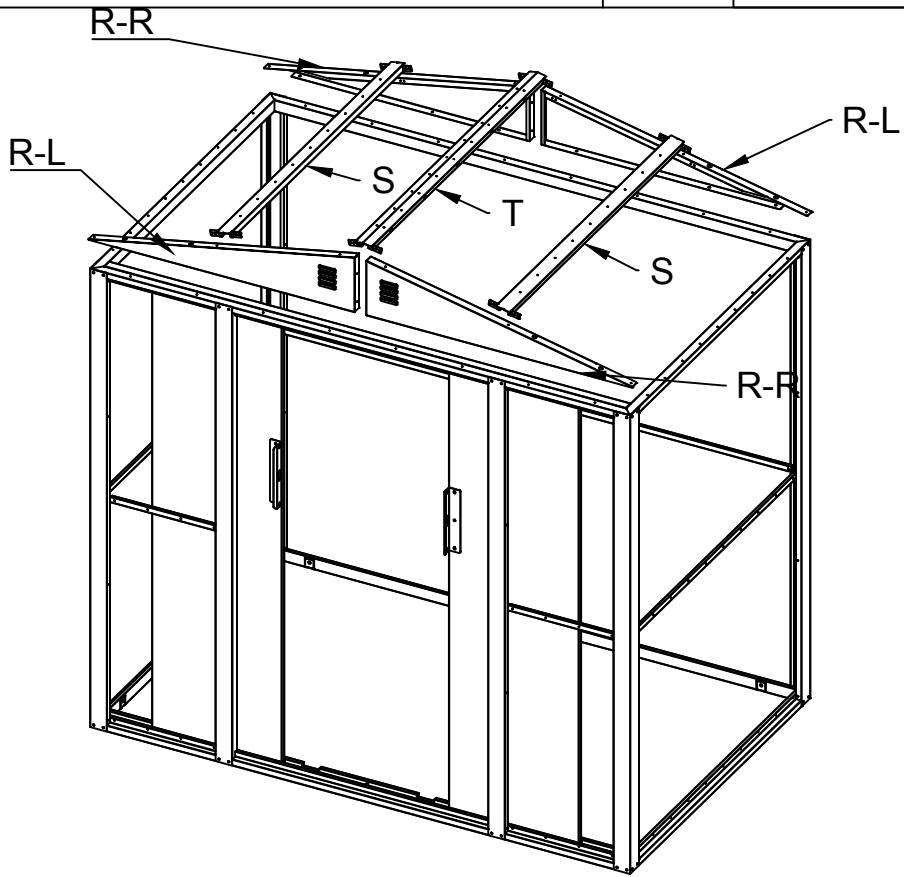


Step 6


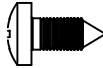

b

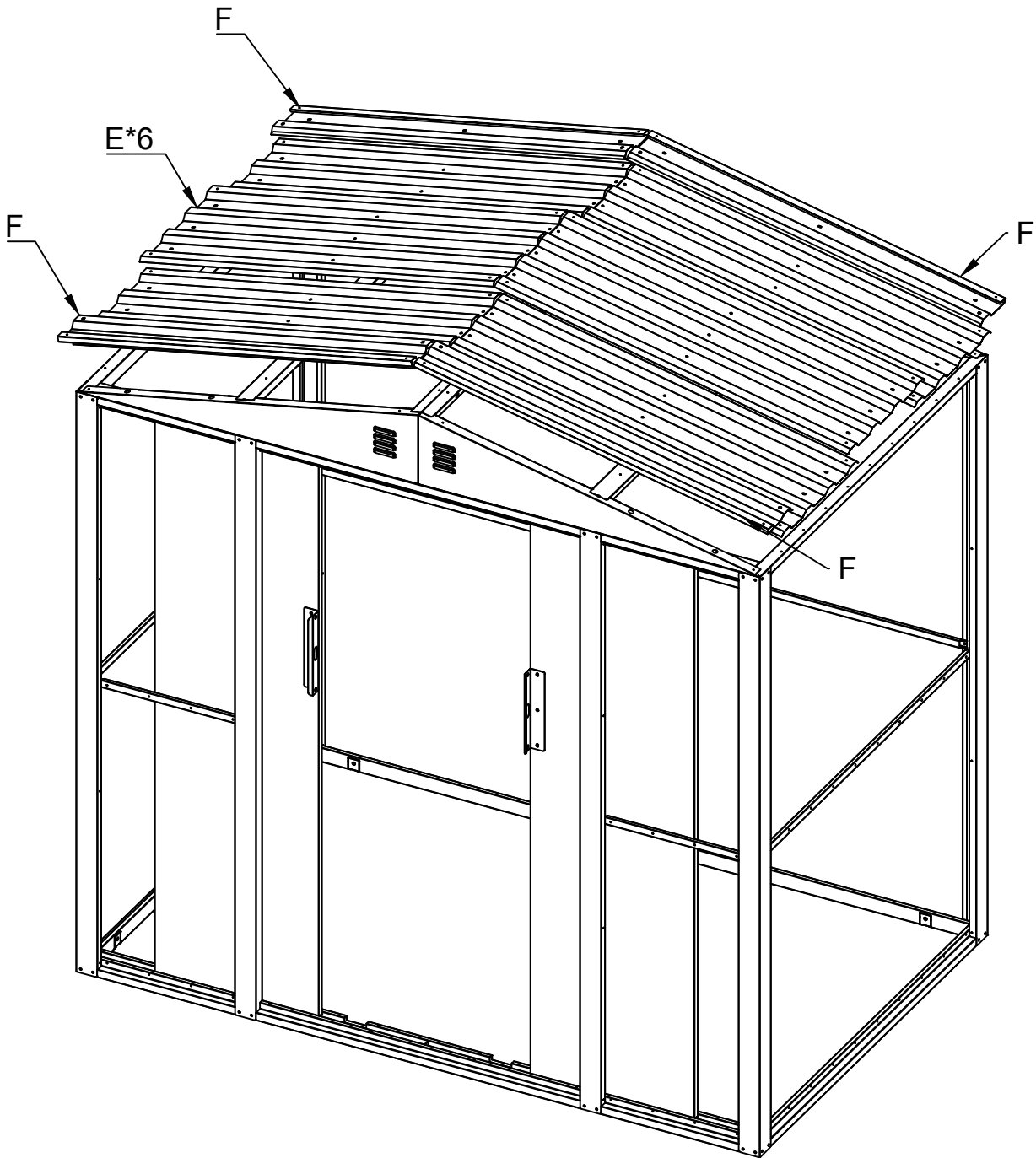


48PCS


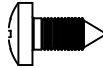



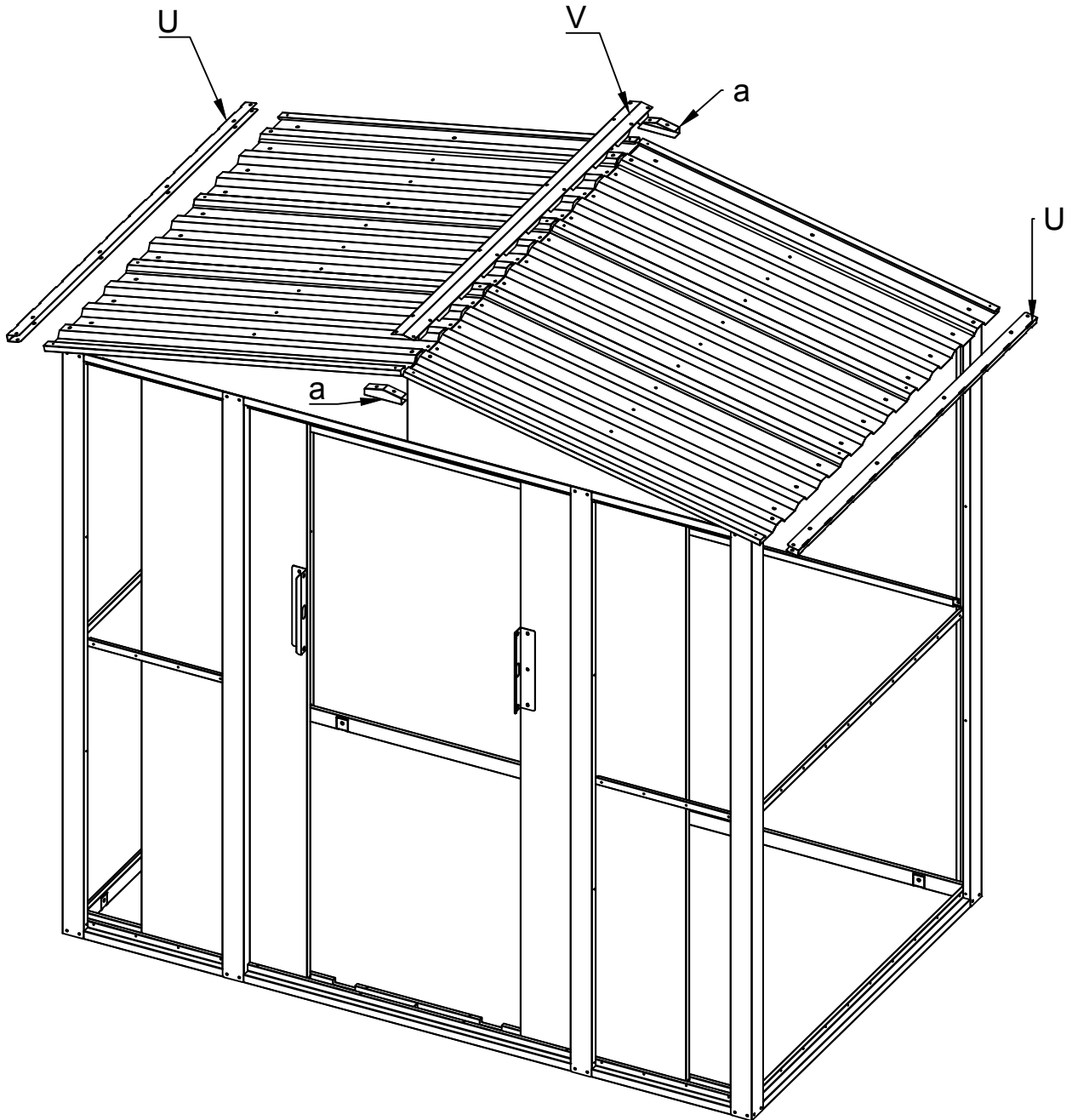
Step 7

| | | |
|----------|---|-------|
| b |   | 66PCS |
| e |  | 66PCS |



Step 8

| | | |
|----------|---|-------|
| b |   | 24PCS |
| e |  | 24PCS |

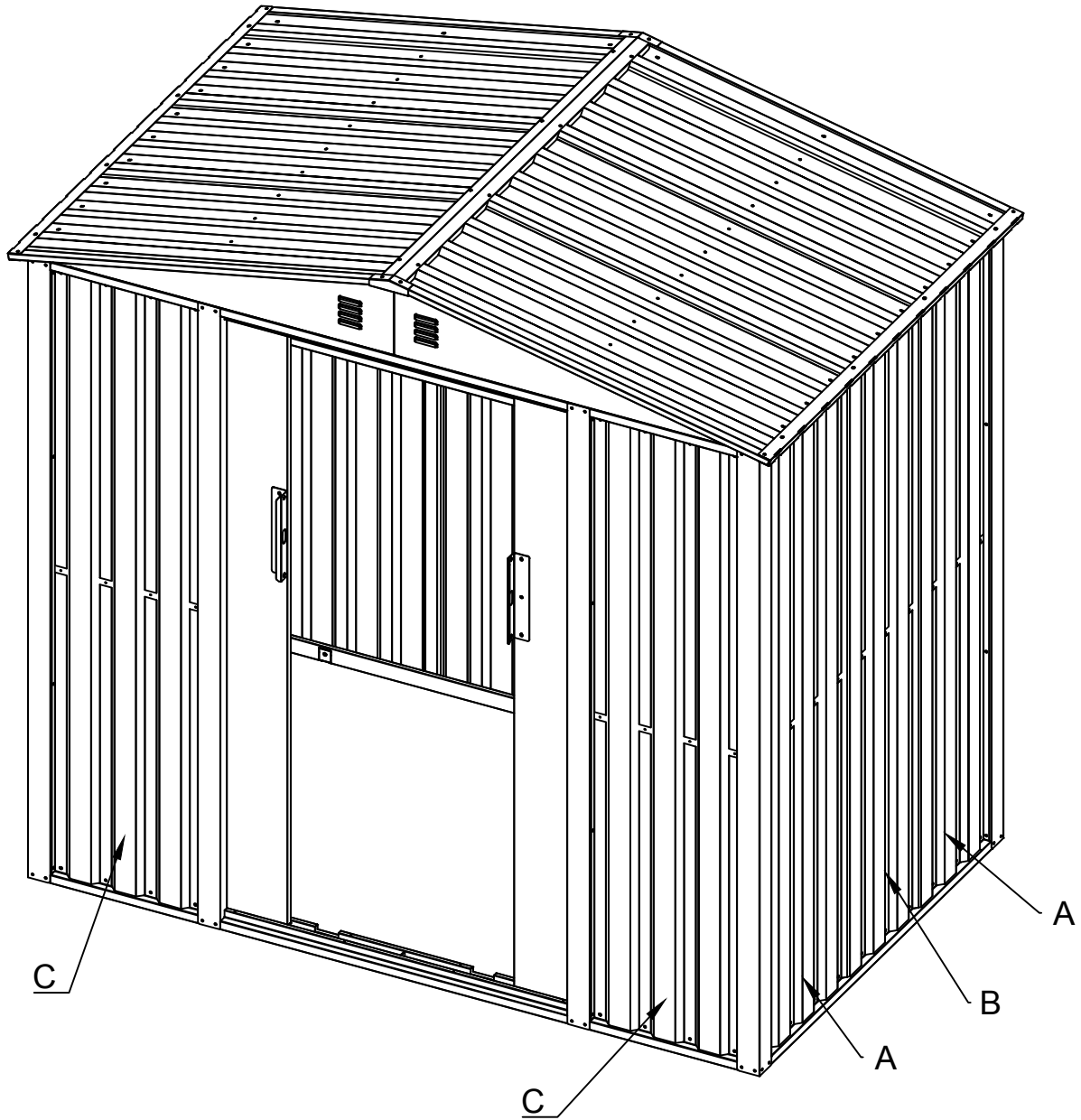


Step 9

b



172PCS

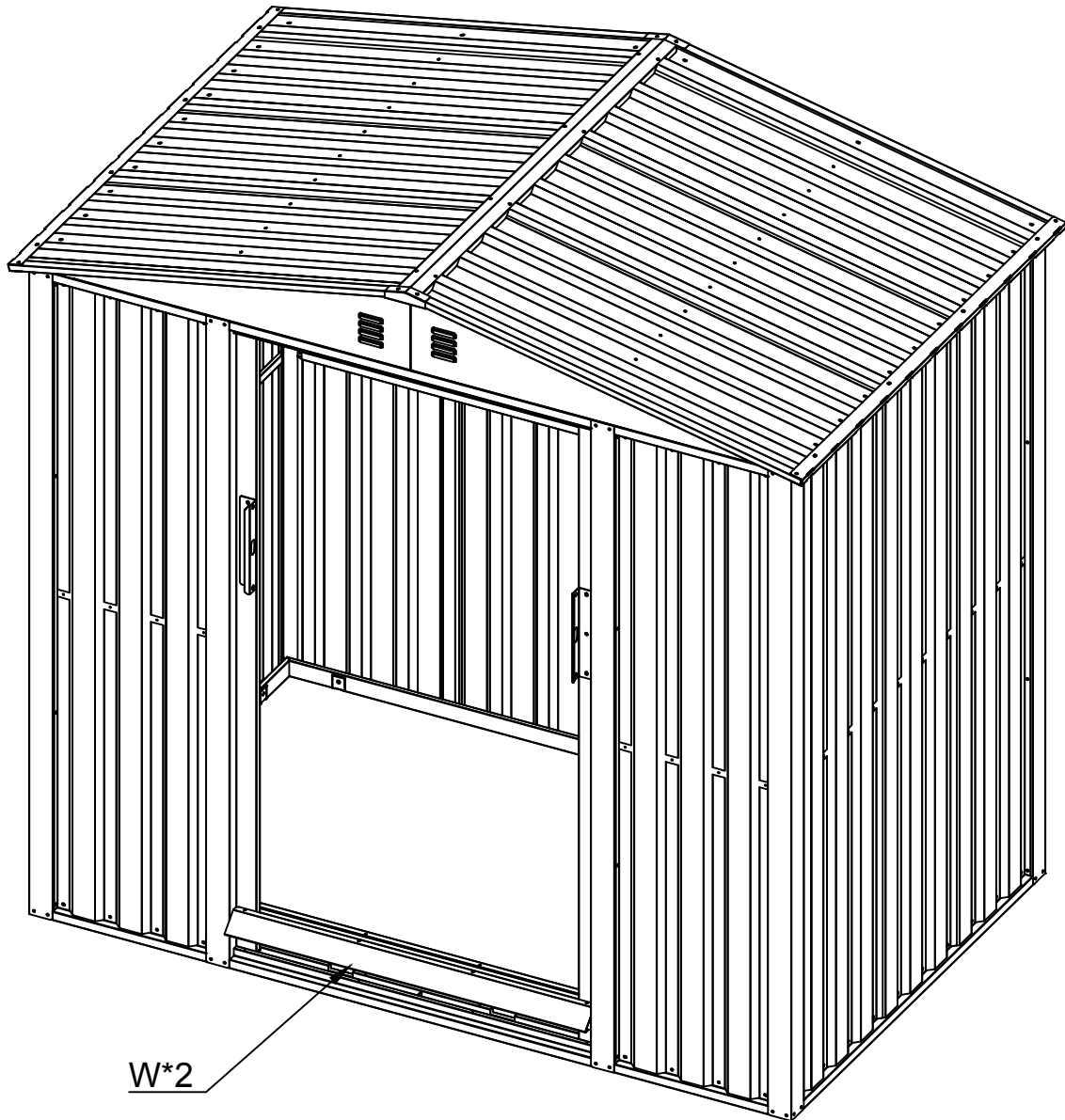


Step 10

b



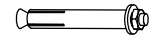
8PCS



W*2

Step 11

C



8PCS

